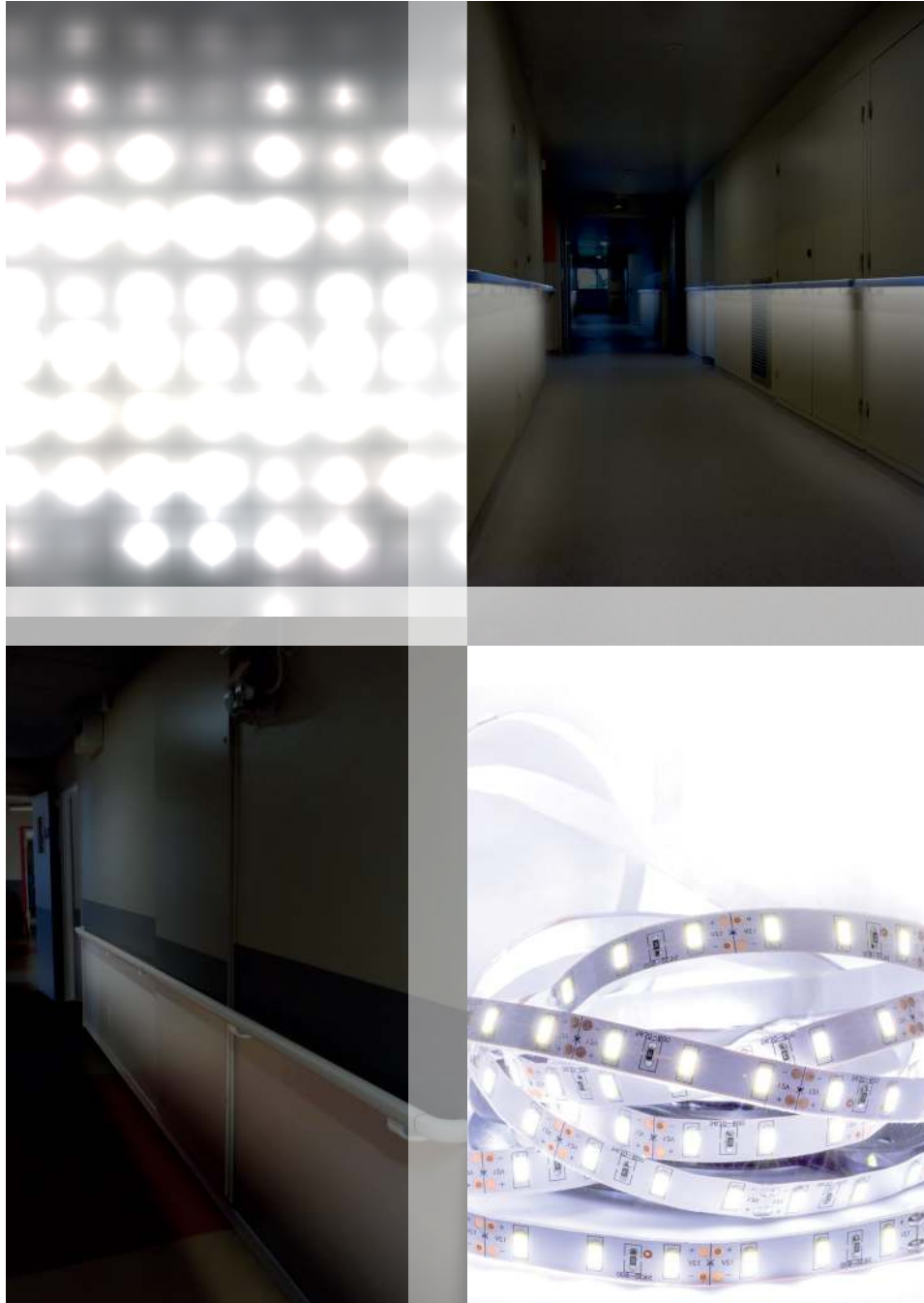




spm-international.com

LINEA'TOUCH LED HANDRAIL



WALL PROTECTIONS
& HANDRAILS

SpM[®]
wall protection



HANDRAILS

Linea' Touch LED

NEW

DESCRIPTION

- Length:** 4 m
- Overwall Projection:** 80 mm
- Stand-off from wall:** 40 mm
- Fixing components:** 2 points quick removable assembly self-locking 55 mm bugled bracket in silver anodised effect aluminium, screwed to the wall every 0.80 m
- LED band:** 5 meters
- Colour filter:** choose from available colours

OPERATION

The Linea' Touch LED handrail operates with a 24 VDC 60 W power supply box for a maximum handrail length of 8 meters.

The internal/external angle pieces have an integrated power cable for connection with the LED bands.

The power supply can be placed in a false ceiling or electrical cabinet for easier maintenance (intervention by an electrician is recommended). A switch, programmer or proximity sensor can be associated with the handrail.

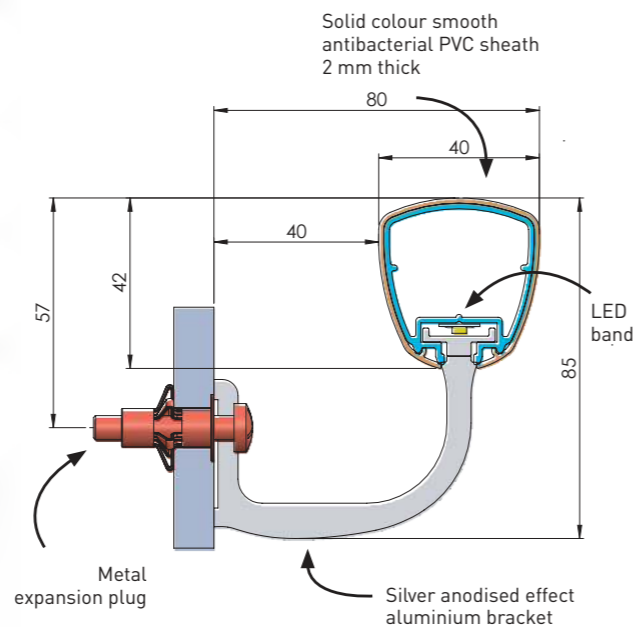
Refer to the Installation Procedures. Before placing any order please contact us.

The new Linea' Touch LED handrail is designed to help people move around safely in corridors and traffic areas.

Thanks to its exclusive trilobed shape, developed with our partner architects and validated by ergonomists, the Linea' Touch LED handrail provides an excellent handgrip while protecting walls effectively and now offers a user guiding system thanks to integrated lighting.

Ideal in hospitals, clinics, retirement homes, establishments for people with disabilities, performance venues, hotels, offices, etc., the LED handrail provides comfort and safety for your users and staff, along with design and aesthetics for your establishment.

With Linea' Touch LED, create your customized ambiance, for each area, department or floor.

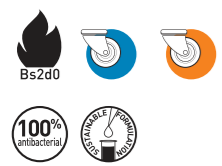
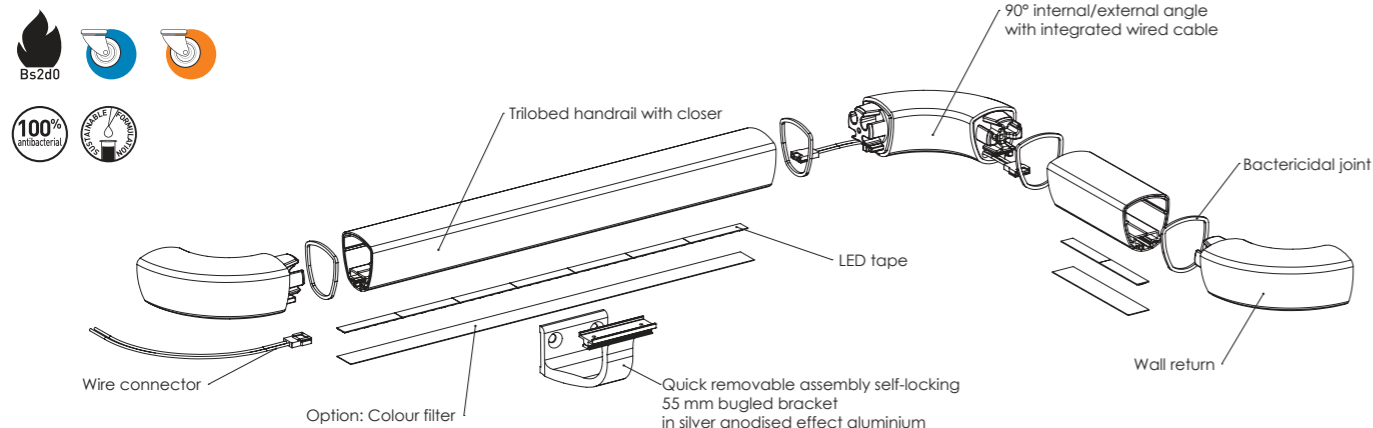


THE PERFECT COMBINATION OF DESIGN, ERGONOMICS AND SAFETY

AVAILABLE COLOURS & FINISHES

<p>31 colours</p> <p>Linea' Touch LED - PVC sheathed</p>	<p>6 wood effect finishes</p> <p>Linea' Touch LED Decowood</p>																																						
<table border="0"> <tr> <td>0001 Chalk LRV 85.8</td> <td>0031 Alum LRV 72.6</td> <td>0032 Flint LRV 43.0</td> <td>0033 Slate LRV 6.5</td> <td>0021 Straw LRV 72.8</td> <td>0022 Apricot LRV 56.7</td> <td>0027 Melon LRV 35.9</td> <td>0028 Poppy LRV 16.7</td> </tr> <tr> <td>0011 Pebble LRV 56.2</td> <td>0002 Gravel LRV 53.4</td> <td>0003 Clay LRV 33.3</td> <td>0004 Granite LRV 25.1</td> <td>0015 Lavendergrey LRV 34.7</td> <td>0030 Iris LRV 17.4</td> <td>0029 Garnet LRV 11.4</td> <td>0016 Glacier LRV 57.6</td> </tr> <tr> <td>0014 Cinnamon LRV 40.1</td> <td>0009 Sierra LRV 27.2</td> <td>0010 Bark LRV 16.3</td> <td>0005 Schist LRV 16.3</td> <td>0018 Azure LRV 44.5</td> <td>0017 Bluebell LRV 36.9</td> <td>0020 Denim LRV 16.8</td> <td>0024 Bamboo LRV 52.4</td> </tr> <tr> <td>0006 Ivory LRV 82.5</td> <td>0007 Wicker LRV 70.9</td> <td>0008 Sand LRV 52.5</td> <td>0013 Greige LRV 40.7</td> <td>0023 Meadow LRV 53.6</td> <td>0025 Emerald LRV 29.3</td> <td>0019 Ultramarine LRV 28.4</td> <td></td> </tr> </table>	0001 Chalk LRV 85.8	0031 Alum LRV 72.6	0032 Flint LRV 43.0	0033 Slate LRV 6.5	0021 Straw LRV 72.8	0022 Apricot LRV 56.7	0027 Melon LRV 35.9	0028 Poppy LRV 16.7	0011 Pebble LRV 56.2	0002 Gravel LRV 53.4	0003 Clay LRV 33.3	0004 Granite LRV 25.1	0015 Lavendergrey LRV 34.7	0030 Iris LRV 17.4	0029 Garnet LRV 11.4	0016 Glacier LRV 57.6	0014 Cinnamon LRV 40.1	0009 Sierra LRV 27.2	0010 Bark LRV 16.3	0005 Schist LRV 16.3	0018 Azure LRV 44.5	0017 Bluebell LRV 36.9	0020 Denim LRV 16.8	0024 Bamboo LRV 52.4	0006 Ivory LRV 82.5	0007 Wicker LRV 70.9	0008 Sand LRV 52.5	0013 Greige LRV 40.7	0023 Meadow LRV 53.6	0025 Emerald LRV 29.3	0019 Ultramarine LRV 28.4		<table border="0"> <tr> <td>0060 Maple LRV 50.0</td> <td>0061 Beech LRV 40.3</td> <td>0062 Light Oak LRV 35.4</td> </tr> <tr> <td>0067 Wenge LRV 6.6</td> <td>0065 Stripped pine LRV 37.0</td> <td>0069 Brown Cedar LRV 18.4</td> </tr> </table>	0060 Maple LRV 50.0	0061 Beech LRV 40.3	0062 Light Oak LRV 35.4	0067 Wenge LRV 6.6	0065 Stripped pine LRV 37.0	0069 Brown Cedar LRV 18.4
0001 Chalk LRV 85.8	0031 Alum LRV 72.6	0032 Flint LRV 43.0	0033 Slate LRV 6.5	0021 Straw LRV 72.8	0022 Apricot LRV 56.7	0027 Melon LRV 35.9	0028 Poppy LRV 16.7																																
0011 Pebble LRV 56.2	0002 Gravel LRV 53.4	0003 Clay LRV 33.3	0004 Granite LRV 25.1	0015 Lavendergrey LRV 34.7	0030 Iris LRV 17.4	0029 Garnet LRV 11.4	0016 Glacier LRV 57.6																																
0014 Cinnamon LRV 40.1	0009 Sierra LRV 27.2	0010 Bark LRV 16.3	0005 Schist LRV 16.3	0018 Azure LRV 44.5	0017 Bluebell LRV 36.9	0020 Denim LRV 16.8	0024 Bamboo LRV 52.4																																
0006 Ivory LRV 82.5	0007 Wicker LRV 70.9	0008 Sand LRV 52.5	0013 Greige LRV 40.7	0023 Meadow LRV 53.6	0025 Emerald LRV 29.3	0019 Ultramarine LRV 28.4																																	
0060 Maple LRV 50.0	0061 Beech LRV 40.3	0062 Light Oak LRV 35.4																																					
0067 Wenge LRV 6.6	0065 Stripped pine LRV 37.0	0069 Brown Cedar LRV 18.4																																					

ASSEMBLY



CE Compliant with European Directives Class III (LED only)

5 coloured filters available

Pink	Blue	Red	Green	Purple	Natural*

* LED band without filter



spm-international.com

**PANELS
HANDRAILS
PROTECTION RAILS
CORNER PROTECTION**

ASIA: Gerflor Asia

Tel: +86 21 6357 8818 - Fax: +86 21 6357 8998

e-mail: gerflorasiasia@gerflor.com

AUSTRALIA/NEW ZEALAND: Gerflor Australasia Pty. Ltd

Australia Tel: 1 800 060 785 - New Zealand Tel: 0 800 630 119

e-mail: gerflor@gerflor.com.au

AUSTRIA/SWITZERLAND: Gerflor GmbH

Tel: +43 (0)72 29/70 800-0 - Fax: +43 (0)72 29/70 800-218

e-mail: austria@gerflor.com - switzerland@gerflor.com

BELGIUM/LUXEMBURG: Gerflor Benelux

Tel: +32 (0)3 766 42 82 - Fax: +32 (0)3 766 29 14

e-mail: gerflorbel@gerflor.com

CANADA: Gerflor International

Tel: +1 438 333 0752 - Fax: +1 438 380 5425

e-mail: gerflorcanada@gerflor.com

CHINA: Gerflor floorings (China) Co. Ltd.

Tel: +86 21 6357 8818 - Fax: +86 21 6357 8998

e-mail: gerflorchina@gerflor.com

FINLAND: Gerflor Oy

Tel: +358 (0) 10 6 17 5150 - Fax: +358 (0) 10 617 5152

e-mail: info@gerflor.fi

FRANCE: SPM International

Tel: +33 (0)5 34 39 41 00 - Fax: +33 (0)5 34 39 40 10

e-mail: export@spm.fr

GERMANY: Gerflor Mipolam GmbH

Tel: +49 (0)22 41-25 30-0

e-mail: gerflormipolam@gerflor.com

Kunden-Service

Tel: +49 (0) 22 41-25 30-136 - Fax: +49 (0) 22 41-25 30-100

e-mail: kundenservice@gerflor.com

SAT Service und Anwendungstechnik

tel: +49 (0)22 41-25 30 555 - Fax: +49 (0)22 41-25 30 550

e-mail: technik@gerflor.com

ITALY: Gerflor S.p.A.

Tel: +39 02 90 40 10 - Fax: +39 02 90 42 74 84

e-mail: gerfloritalia@gerflor.com

LATIN AMERICA (Brazil): Gerflor América Latina

Tel: +55 11 38 48 20 20

e-mail: gerflor@gerflor.com.br

MIDDLE EAST: Gerflor Middle East

Tel: +966 13 847 1779 - Fax: +966 13 847 1781

e-mail: info@gerflorme.com

NETHERLANDS: Gerflor Benelux

Tel: +31 (0)40 266 17 00 - Fax: +31 (0)40 257 46 89

e-mail: gerflornl@gerflor.com

OTHER COUNTRIES: SPM International

Tel: +33 (0)5 34 39 41 00 - Fax: +33 (0)5 34 39 40 10

e-mail: export@spm.fr

POLAND: Gerflor Polska Sp z o.o

Tel: +48 61 823 34 01 - Fax: +48 61 823 34 33

e-mail: info@gerflor.pl

PORTUGAL: Gerflor Iberia, SA

Tel: +351 21 843 95 49 - Fax: +351 21 846 55 44

e-mail: gerflorportugal@gerflor.com

RUSSIA: Gerflor zao

Tel./Fax: +7 495 785 23 71

e-mail: gerflorrussia@gerflor.ru

SCANDINAVIA: Gerflor Scandinavia a.s.

Tel: +47 64 95 60 70 - Fax: +47 64 95 60 80

e-mail: gerflorscand@gerflor.no

SPAIN: Gerflor Iberia, SA

Tel: +34 91 653 50 11 - Fax: +34 91 653 25 85

e-mail: gerfloriberia@gerflor.com

USA: Gerflor North America

Tel: 877 GERFLOR (437 3567) - Fax: 847 394 3753

e-mail: info@gerflorusa.com



A company of **Gerflor**

Spm[®]
wall protection