



DECOWOOD ESCORT

ANODISED ESCORT

Bactericidal joint



Bs2d0

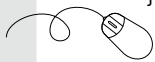


Bs2d0

▶ DIAMETER 40 MM ROUND HANDRAILS

Applications

Particularly elegant handrails with a wood effect or an aluminium finish (satin silver anodised) and curved, unobtrusive brackets. They are ideal for all buildings open to the public: corridors and stairways in retirement homes, schools, hotels, residential apartment buildings, offices, etc. Escort can be bent for curved sections. A removeable system is available to provide continuation of the handrail in front of service ducts. They are fitted with bactericidal joints.



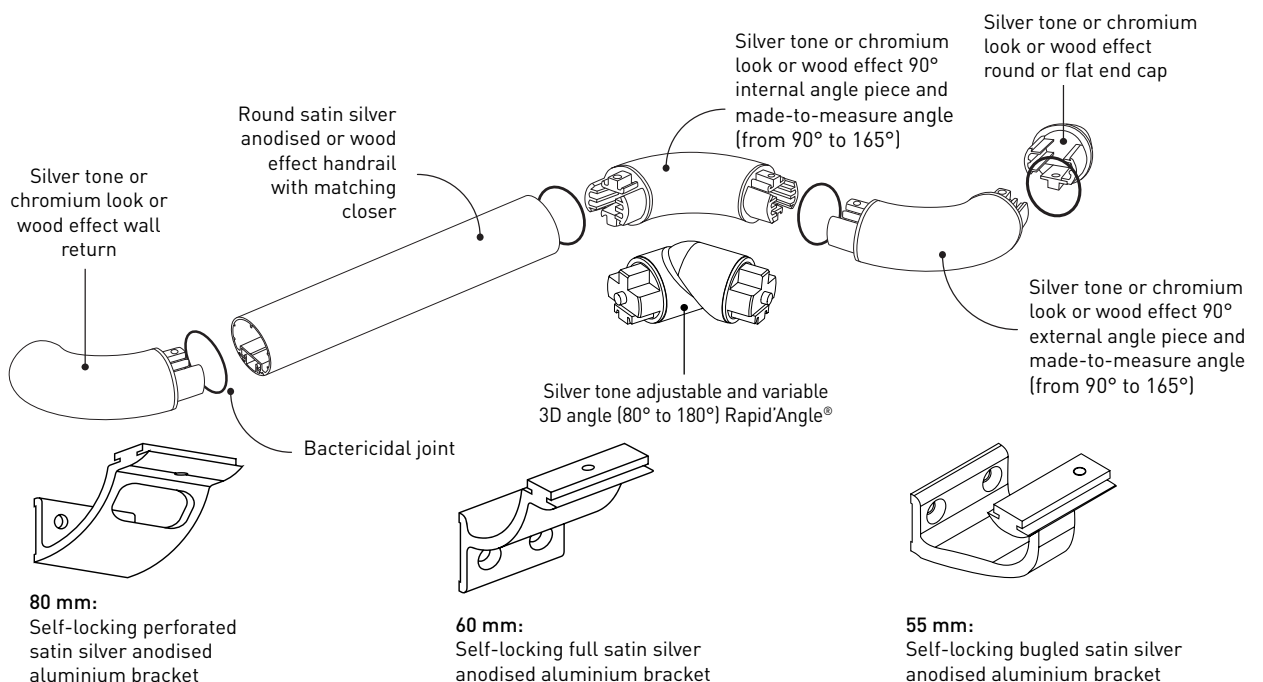
Specification and technical drawings can be downloaded from our website www.gerflor.com

Specification

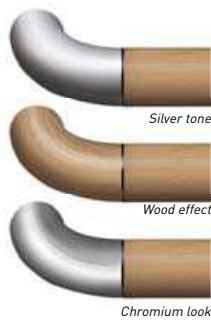
- Description: Round wood effect handrail with a diameter of 40 mm (Decowood Escort as manufactured by Gerflor) or in satin silver anodised aluminium (Anodised Escort as manufactured by Gerflor), 1.5 mm thick. A protective film is specified to minimise cleaning before acceptance. The aluminium profile comprises a groove into which brackets, accessories and matching closer slide and lock. Perforated brackets are curved, 40 mm deep and made of satin silver anodised aluminium. Overall projection and depth are 80 mm. Smooth accessories made of wood effect or silver tone or chromium look PVC (wall returns, flat or round end caps, external and internal 90° angle pieces or made-to-measure from 90° to 165°), and supplied with bactericidal joints, are fitted on the section and fixed with locking screws. All technical solutions are available to ensure continuity around corners (90° or made-to-measure), in staircases (silver tone slope link or 3-way "universal joint" rotation angle -Rapid'Angle as manufactured by Gerflor-), across service

ducts (quick-removable assembly wedge and silver tone articulated link -Rapid'Access as manufactured by Gerflor-) and around curved sections (pre-curved in the factory).

- Environment : No heavy metals and no substance potentially subjected to any REACH restriction are used in its manufacture, nor PBT/PBA. The calcium-zinc thermal stabilisation process is used. The emission level of volatile substance in inside air has been tested according to ISO 16000-6 and is very low (A+) according to the french regulation (23 march 2011 nr 2011-321 Decree and 19 April 2011 Order). 100% of the product are recyclable.
- Colour: selected by architects from manufacturer's standard range
- Installation method: upper edge of section 0.90 m max. above floor level. Fixes to 2-point self-locking perforated aluminium brackets at 1.20 m centres (0.80 m centres in heavy traffic areas and on light partitions like plasterboard). Wall returns, end caps and angles to be fixed with 2.5 mm Allen clamping screws.



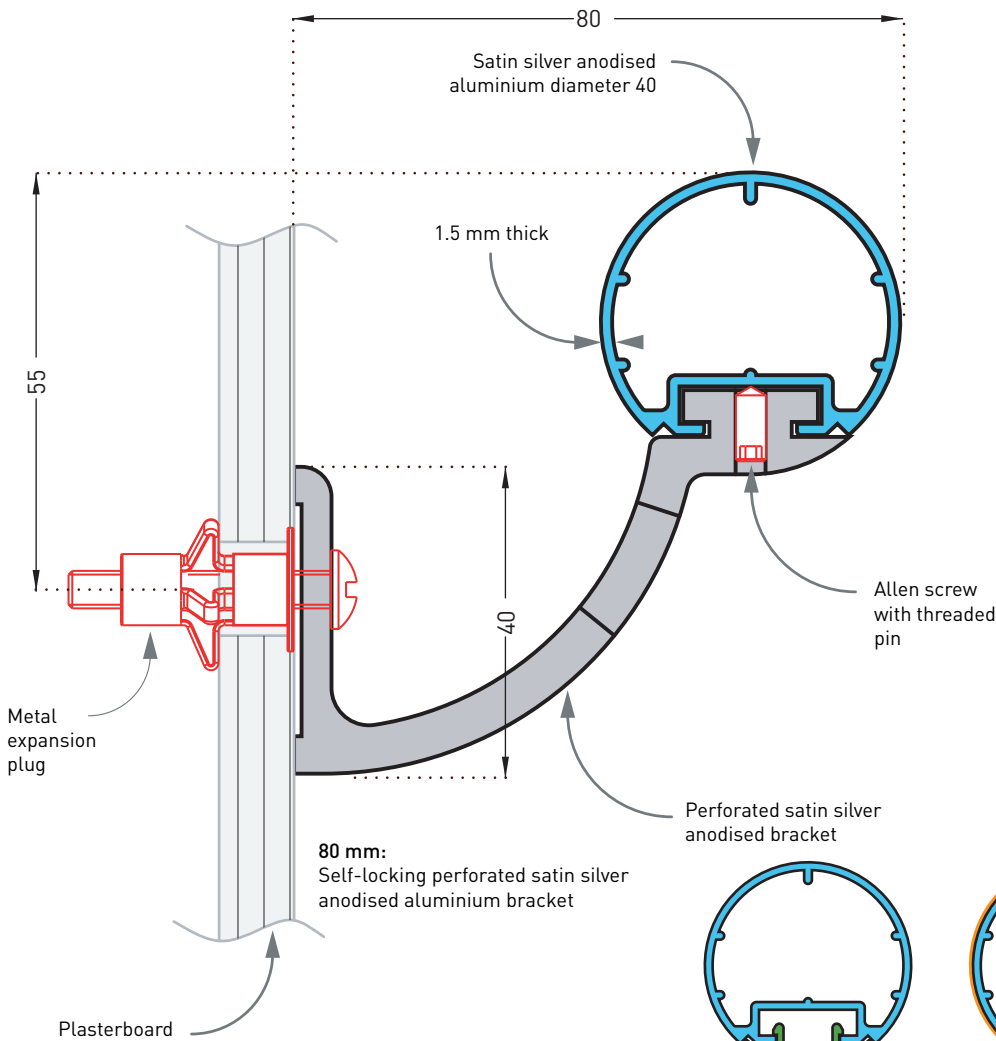
Escort Decowood
3 finishes
for accessories



Escort Decowood
5 wood effect colours

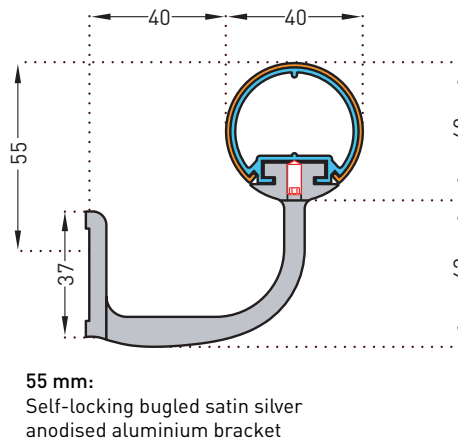
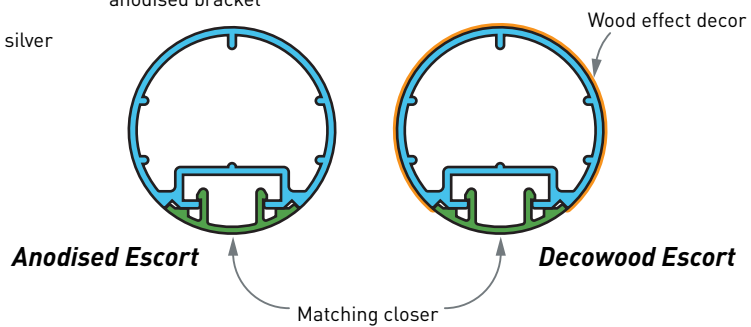
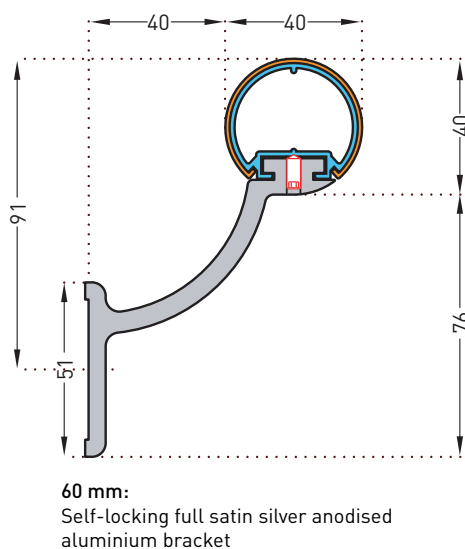


Anodised Escort



Description

- Model: Escort anodised or Decowood round handrail
- Diameter: 40 mm
- Length: 4 m
- Overall projection: 80 mm
- Stand-off from wall: 40 mm
- Material: 10 micron satin silver anodised aluminium or wood effect PVC
- Fixing components: 2-point self-locking perforated brackets, satin silver anodised aluminium finish, screwed to wall at 1.20 m centres (0.80 m centres in heavy traffic corridors and on light partitions like plasterboard)
- Colours: 5 wood effect colours for Escort Decowood or satin silver anodised for anodised Escort. Coating on request.



Find out more about technical solutions at the end of the guide.

To find the colours available for each product, please see the summary table for the range at the end of this guide.