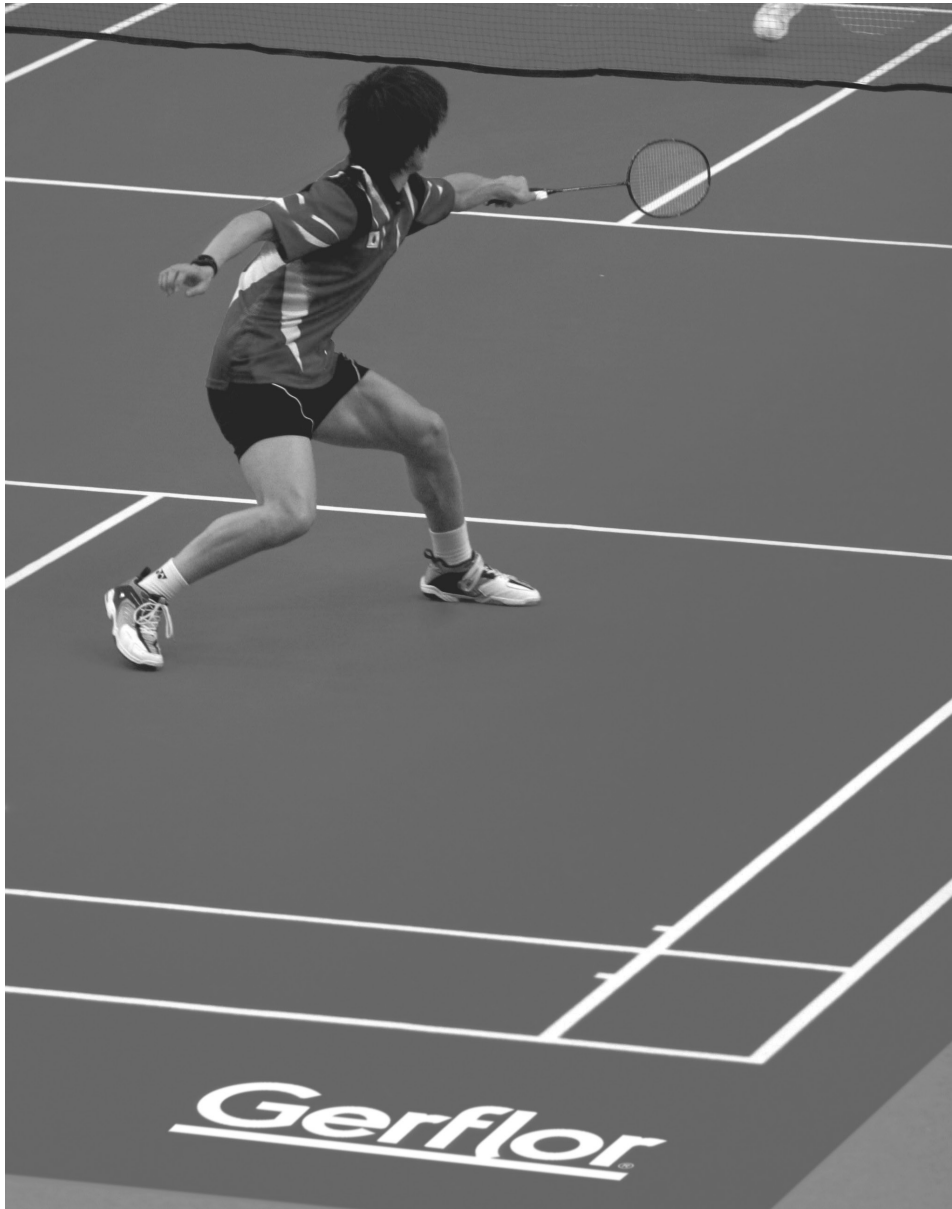


INSTALLATION GUIDELINES

FOR A PORTABLE BADMINTON SURFACE
WITH VELCRO STRIP AND DOUBLE SIDED TAPE

gerflor.com



IMPORTANT: The information in this document is valid from 01/04/2019 and is subject to change without prior notice. In the face of continuous technical improvements, before starting any work, our customers should check with us that this document is still in force.

Gerflor[®]
the flooring group

IMPORTANT

As all Gerflor products are subject to continuous technical improvements, before starting any work, our customers should check with us that this document is still valid.

The installation company must comply with regulations in force at the time of signing the contract.

Customers should also check all materials before starting installation in order to avoid any issues arising from visible defects.

Once installed, the costs of any repair work cannot be refunded.

This document is effective from 1 September 2015 but may be amended at any time without notice.

INSTALLATION OF A PORTABLE BADMINTON SURFACE

1. DESCRIPTION AND DIMENSIONS OF A BADMINTON SURFACE	p 04
2. FLATTENING THE ROLLS (1 DAY PRIOR TO INSTALLATION IS RECOMMENDED)	p 04
3. LAYING THE ROLLS	p 04
4. FIXING THE ROLLS	p 05
5. ADVERTISING MARKINGS	p 06
6. REPAIR	p 06
7. CLEANING THE SURFACE	p 06
8. REMOVAL OF THE SURFACE	p 07



INSTALLATION OF A PORTABLE BADMINTON SURFACE

1. DESCRIPTION AND DIMENSIONS OF A BADMINTON SURFACE

DIMENSIONS: 16 x 8.10 m
 This surface is supplied as 3 rolls (16 m x 2.70 m)
 including the game lines.

WEIGHT OF A ROLL: 80 kg.



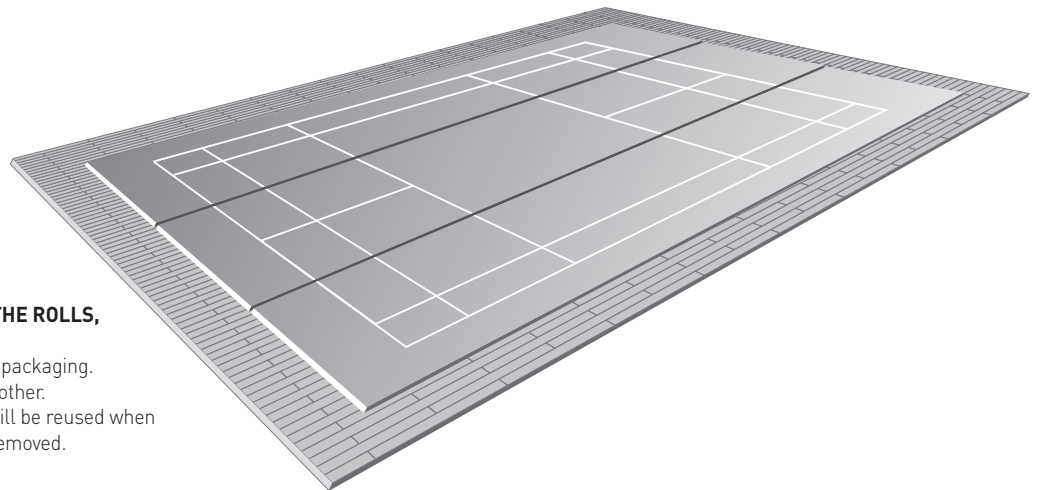
2. FLATTENING THE ROLLS (1 DAY PRIOR TO INSTALLATION IS RECOMMENDED)



Ambient temperature
 15°C

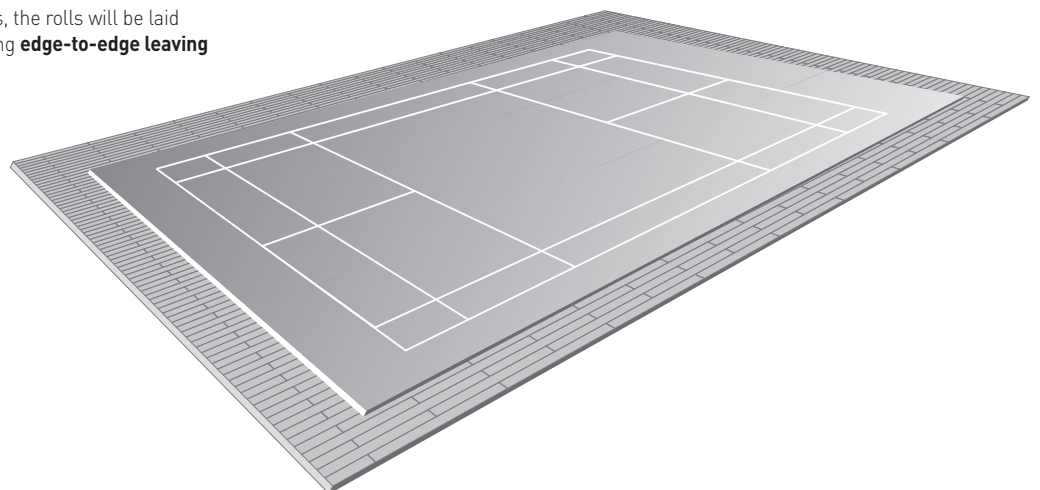
**AS SOON AS YOU RECEIVE THE ROLLS,
 PLEASE:**

- Remove the rolls from their packaging.
- Place the rolls next to each other.
- **KEEP** the packaging, this will be reused when the surface is uplifted and removed.



3. LAYING THE ROLLS

After laying out the guidelines, the rolls will be laid according to the layout drawing **edge-to-edge leaving no gaps between them.**



IMPORTANT: The information in this document is valid from 01/04/2019 and is subject to change without prior notice. In the face of continuous technical improvements, before starting any work, our customers should check with us that this document is still in force.

INSTALLATION OF A PORTABLE BADMINTON SURFACE

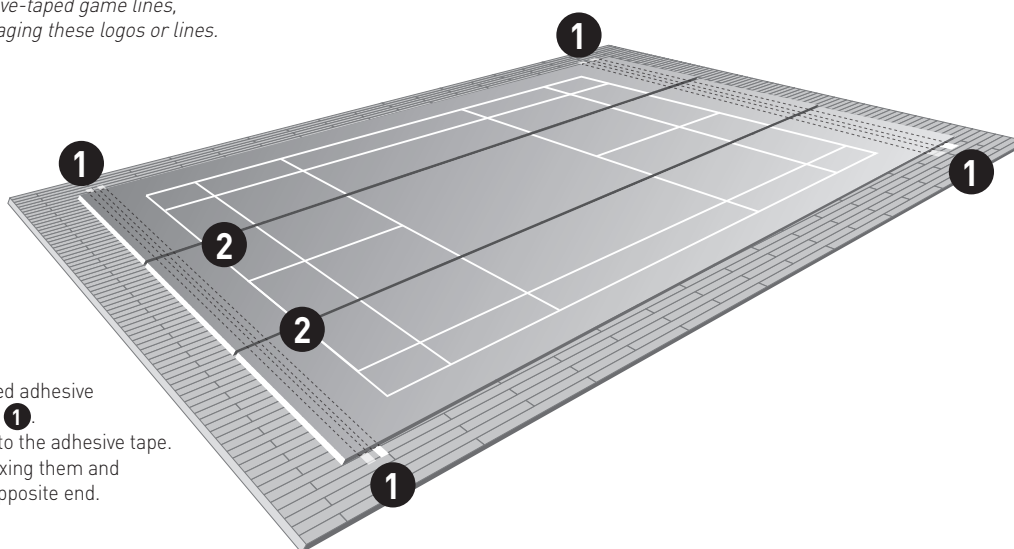
4. FIXING THE ROLLS

We recommend using the GERFLOR D200 or D300 double-sided tape depending on the type of substrate the badminton surface will be laid onto ; stretch the rolls manually and fix to the VELCRO.

- **D 200 Ref. Gerflor H 208 0007:** adhesive tape for installation on lacquered parquet or existing sports floor
- **D 300 Ref. Gerflor 085R 0001:** adhesive tape for installation on particleboards or other substrates

PLEASE CHECK INSIDE EACH CORE OF THE ADHESIVE ROLL TO ENSURE IT IS SUITABLE FOR THE SUBSTRATE ON WHICH THE SURFACE IS INSTALLED.

Note: If the surface is to be fixed on lacquered parquet, ensure beforehand that the quality of the lacquer (adhesion) is good. If the substrate has advertising logos or adhesive-taped game lines, there is a potential risk of damaging these logos or lines.

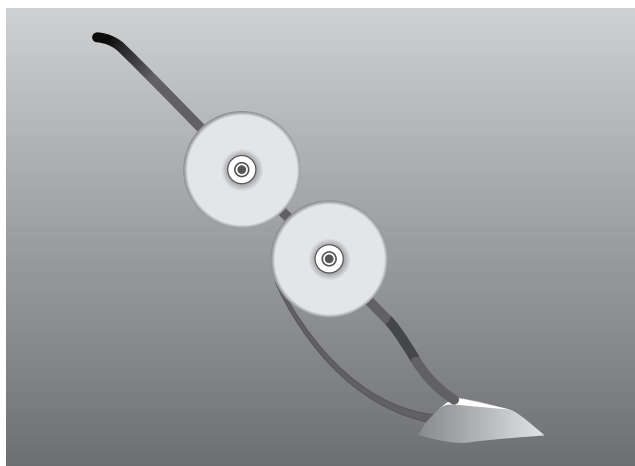


A) WIDTHWISE:

- Apply two rows of double-sided adhesive tape at each end of the court **1**.
- Fix one of the back edges on to the adhesive tape.
- Stretch the rolls and before fixing them and align the game lines on the opposite end.

B) LENGTHWISE:

- Apply the Velcro strip with the device supplied in the kit on the 2 lengths **2**.



SPORTS FLOORS

INSTALLATION OF A PORTABLE BADMINTON SURFACE

5. ADVERTISING MARKINGS

Advertisements other than those imprinted on the surface will be placed in accordance with the requirements of the **BADMINTON FEDERATION AND GERFLOR** and must only be **ADHESIVE-TAPED**.

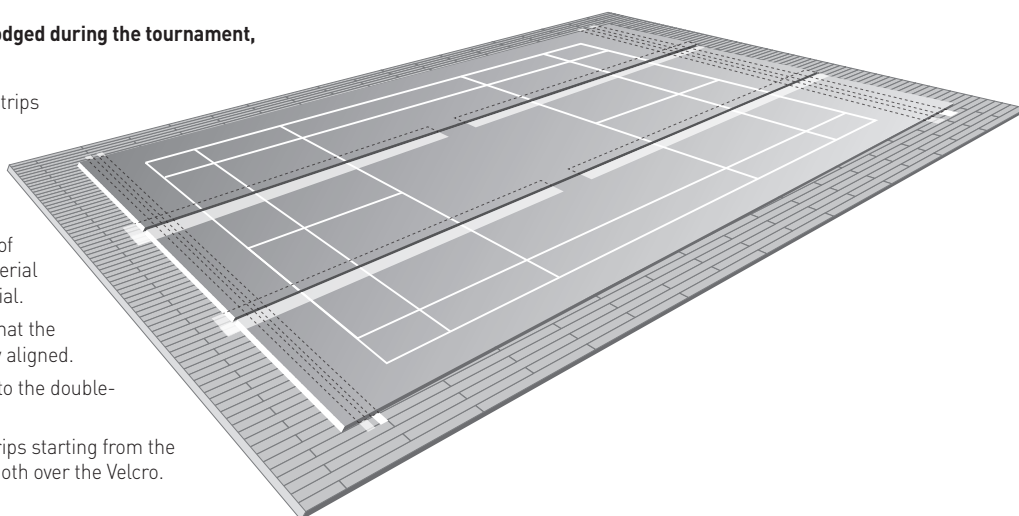
Adhesive reference: AVERY 900 Removable (Tel: +33 (0)1 48 17 28 46. Fax: +33 (0)1 49 89 03 06).

All advertisements **MUST** be removed after every tournament to avoid damaging the material.

6. REPAIR

If the material becomes dislodged during the tournament, we recommend that you:

- Cut to size 4 polyethylene strips 20 m x 0.30 m wide.
- Undo the Velcro joints.
- Place the 4 polyethylene strips overlapping the two Velcro strips on either side of the net, 15 cm over the material and 15 cm under the material.
- Stretch the rolls ensuring that the game lines remain properly aligned.
- Fix the back edge securely to the double-sided tape.
- Remove the polyethylene strips starting from the middle of the court and smooth over the Velcro.



7. CLEANING THE SURFACE

BEFORE THE TOURNAMENT (if necessary):

- Clean the surface with Traciflex or Dynatech diluted to 5% maximum; use a rotocleaner or an automatic scrubber fitted with a red pad or a brush for flexible floors.
- Use very little water.
- Rinse with clean water several times.

DURING THE TOURNAMENT:

- Where there are traces of resins and rubber, spray Traciflex or Dynatech diluted to 20% and leave to act.
- Clean the surface with Traciflex or Dynatech diluted to 5% maximum; use a rotocleaner or an automatic scrubber fitted with a red pad or a brush for flexible floors.
- Use very little water.
- Rinse with clean water several times.

AFTER THE TOURNAMENT:

- Where there are traces of resins and rubber, spray Traciflex or Dynatech diluted to 20% and leave to act.
- Clean the surface with Traciflex or Dynatech diluted to 20% maximum; use a rotocleaner or an automatic scrubber fitted with a red pad or a brush for flexible floors.
- Rinse with clean water several times.
- Leave to dry.

ROTOCLEANER

ROTOWASH
41, rue du mûrier
37540 Saint Cyr / Loire
www.rotowash.fr



CLEANING PRODUCTS

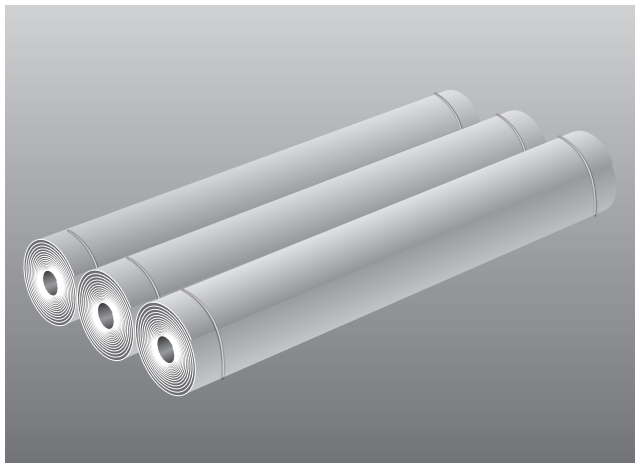
TRACIFLEX
Sté RCI ZAE Champagne
07302 Tournon
Tel: 04 75 08 90 00
Fax: 04 75 08 90 29
www.rcifrance.com

DYNATECH TROPHY
WERNER & MERTZ France Professional
Parc de Barbanniers
4 allée du Carré
92230 Gennevilliers
Tel: 01 41 47 35 71
www.wmprof.com

INSTALLATION OF A PORTABLE BADMINTON SURFACE

8. REMOVING THE SURFACE

- Remove the double-sided tape.
- Remove the velcro strips.
- On their original cardboard tubes, roll up the 3 rolls, ensuring that the foam is on the inside.
- Put the rolls back in the box along with all the items contained in the Velcro kit.



ASIA: Gerflor Asia
Tel: +852 9222 6355 - Fax: +852 3006 1449
e-mail: gerflorasiasia@gerflor.com

AUSTRALIA/NEW ZEALAND: Gerflor Australasia Pty. Ltd
Australia Tel: 1 800 060 785 - New Zealand Tel: 0 800 630 119
e-mail: gerflor@gerflor.com.au

AUSTRIA/SWITZERLAND: Gerflor GmbH
Tel: +43 (0)72 29/70 800-0 - Fax: +43 (0)72 29/70 800-218
e-mail: austria@gerflor.com - switzerland@gerflor.com

BELGIUM/LUXEMBURG: Gerflor Benelux
Tel: +32 (0)3 766 42 82 - Fax: +32 (0)3 766 29 14
e-mail: gerflorbel@gerflor.com

CANADA: Gerflor International
Tel: +1 438 333 0752 - Fax: +1 438 380 5425
e-mail: gerflorcanada@gerflor.com

CHINA: Gerflor floorings (China) Co. Ltd.
Tel: +86 21 6357 8818 - Fax: +86 21 6357 8998
e-mail: gerflorchina@gerflor.com

FINLAND: Gerflor Oy
Tel: +358 (0) 10 6 17 5150 - Fax: +358 (0) 10 617 5152
e-mail: info@gerflor.fi

FRANCE: Gerflor - Service Express:
N°Azur 0 810 569 569 **N°Azur FAX 0 810 569 570**
e-mail: contactfrance@gerflor.com

GERMANY: Gerflor Mipolam GmbH
Tel: +49 (0)22 41-25 30-0
e-mail: gerflormipolam@gerflor.com
Kunden-Service
Tel: +49 (0) 22 41-25 30-136 - Fax: +49 (0) 22 41-25 30-100
e-mail: kundenservice@gerflor.com
SAT Service und Anwendungstechnik
tel: +49 (0)22 41-25 30 555 - Fax: +49 (0)22 41-25 30 550
e-mail: technik@gerflor.com

IRELAND: Gerflor Ltd
Tel: +353 (0) 42 966 1431 - Fax: +353 (0) 42 966 1759
e-mail: gerflorirl@gerflor.com

ITALY: Gerflor S.p.A.
Tel: +39 02 90 40 10 - Fax: +39 02 90 42 74 84
e-mail: gerfloritalia@gerflor.com

LATIN AMERICA (Brazil): Gerflor América Latina
Tel: +55 11 38 48 20 20
e-mail: gerflor@gerflor.com.br

MIDDLE EAST: Gerflor Middle East
Tel: +966 13 847 1779 - Fax: +966 13 847 1781
e-mail: info@gerflorme.com

NETHERLANDS: Gerflor Benelux
Tel: +31 (0)40 266 17 00 - Fax: +31 (0)40 257 46 89
e-mail: gerflornl@gerflor.com

OTHER COUNTRIES: Gerflor International
Tel: +33 (0)4 74 05 40 00 - Fax: +33 (0)4 74 05 03 13
e-mail: gerflorcontract@gerflor.com

POLAND: Gerflor Polska Sp z o.o
Tel: + 48 61 823 34 01 - Fax: + 48 61 823 34 33
e-mail: info@gerflor.pl

PORTUGAL: Gerflor Iberia, SA
Tel: +351 21 843 95 49 - Fax: +351 21 846 55 44
e-mail: gerflorportugal@gerflor.com

RUSSIA: Gerflor zao
Tel./Fax: + 7 495 785 23 71
e-mail: gerflorussia@gerflor.ru

SCANDINAVIA: Gerflor Scandinavia a.s.
Tel: + 47 64 95 60 70 - Fax: + 47 64 95 60 80
e-mail: gerflorscand@gerflor.no

SPAIN: Gerflor Iberia, SA
Tel: +34 91 653 50 11 - Fax: +34 91 653 25 85
e-mail: gerfloriberia@gerflor.com

UNITED KINGDOM: Gerflor Ltd
Sample service: Contractuk@gerflor.com
Office Tel: + 44 (0) 1926 622 600 - Fax: + 44 (0) 1926 401 647

USA: Gerflor North America
Tel: 877 GERFLOR (437 3567) - Fax: 847 394 3753
e-mail: info@gerflorusa.com

gerflor.com

ARCHITECTURE
DECORATION
SPORT
TECHNOSPECIFIC

RC Lyon B 726 580 152 - jpe - Printed in CEE 209 406 - 09/2019

Gerflor Don't forget our complementary ranges!



Handrails



Wall Coverings & Protections



Entrance mats



Skirtings & Profiles

and *Be* CONNECTED!



www.gerflor.com



Health & Safety



ISO 14001



Recycling



Life Cycle Analysis

Committed to sustainable development

Gerflor
theflooringgroup