



spm-international.com

# H<sub>2</sub>O SYSTEM WET AREAS WITHOUT ASBESTOS



WALL PROTECTIONS  
& HANDRAILS

# WHO ARE WE?

Specialist in wall protections and handrails for over 35 years, SPM, a Gerflor Group Company, develops innovative and decorative solutions to protect, **enhance and ensure the sustainability of buildings open to the public.**



## WE OFFER SOLUTIONS THAT MEET YOUR REQUIREMENTS



### INSTALLATION IN WET AREAS

- Moisture resistant
- Perfect waterlightness



### RESISTANCE

- Resistant to impacts, shocks and scratches
- Resistance to tearing (CSTB test no. BP13-6-4042-2)



### LONGER SERVICE LIFE

- Increase building service life
- Avoid repainting and repairing of damaged areas



### EASY AND QUICK INSTALLATION

- Suitable for installation by a technician
- Limited disturbance and disruption during installation : can be installed in occupied environments (solvent-free glue, etc.)



### MAINTENANCE

- Easy care and cleaning
- Reduced maintenance costs



### ATTRACTIVE AND DECORATIVE

- Wide range of colours and decorative cutouts
- Enhancement of buildings through easier maintenance



### HYGIENE AND DECONTAMINATION

- 100% antibacterial (Nosoco.tech reports)
- 100% decontamination (Anios and Institut Pasteur tests)
- 100% watertight with the thermo-welded Decochoc / vinyl flooring system



### CONFORMITY

- Comply with the French laws for public buildings



### ACCESSIBILITY

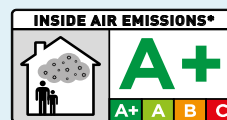
- Comply with the French interministerial circular Nr DGUHC 2007-53 du 30/11/07



### ENVIRONMENT

- Exemplary composition (no heavy metals, very low VOC emissions, PBT-free, BPA-free, etc.)
- 100% recyclable range
- Reduced environmental impact of installation and use

WE ADDRESS ALL YOUR DEMANDS



- According to French regulations -  
\*\* Information about the emission level of volatile substance in inside air, involving a toxic risk by inhalation, on a scale from A+ (very low emissions) to C (high emissions).

# WATERTIGHTNESS IN WET ROOMS



## YOUR CONCERNS

- Effective watertight protection for covering walls and doors in wet rooms, such as bathrooms, toilets and kitchens... ?
- Long-term solutions to problems of moisture that leads to mould and salt peter on walls, bacteria and unpleasant living conditions?
- A fast, attractive and long-lasting solution for renovating damaged ceramics with blackened joints, wall coverings damaged by water, limestone and cleaning products?



## OUR SOLUTIONS

Thanks to their water repellent and impermeability qualities, **Decochoc H<sub>2</sub>O panels guarantee long-lasting protection** of walls and doors in wet areas.

**To ensure the system is perfectly watertight**, panels are thermo-welded together and to the coving using colour coordinated H<sub>2</sub>O welding rods, specially developed to resist water and ambient moisture.



# H<sub>2</sub>O SYSTEM

## RENOVATION SOLUTIONS FOR WET AREAS WITHOUT ASBESTOS

Decochoc H<sub>2</sub>O panels have been specially developed by our Research and Development Department to **protect walls and doors from splashed water and damages caused by moisture.**

Their surface is slightly textured, in a fine, matt **Hydr'X grain**, perfect for wet areas thanks to its water repellent qualities that minimise the development of limestone, whilst ensuring optimal resistance to scratches. Its formulation has been specially developed to ensure optimum fusion between the panels and to the coving with the H<sub>2</sub>O welding rod.

**The integral H<sub>2</sub>O thermo-welded system between the panels and the coving ensures a perfect watertightness**, preventing any water infiltration. It has been approved in France by an external testing laboratory (CSTB, ATEX n°2273). Any connections with other materials are made using an H<sub>2</sub>O silicon joint.

H<sub>2</sub>O panels are fast and easy to fit on **all types of support (plasterboard, cement, ceramics, etc.)**. They are imperishable, washable, hygienic, easy to clean and extend the life of infrastructures, whilst complying with strict budgetary constraints.



BEFORE



AFTER

# DECOCHOC H<sub>2</sub>O

PROTECTION AND COVERING  
PANEL IN WET AREAS  
WITHOUT ASBESTOS



**Standard panel dimensions:** 2.50 m x 1.30 m

**Thickness:** 1.5 mm

**Material:** antibacterial and Bs2d0 fire-rated PVC,  
solid colour

**Surface finish:** slightly textured  
Specific wet area Hydr'X grain

**Fixing:** adhesive bonding with SPM acrylic glue.  
Joints between panels should be made using welding  
rods, colour matched to the range

# DECOTREND H<sub>2</sub>O AND DECOWOOD H<sub>2</sub>O

DECORATIVE PROTECTION  
PANELS IN WET AREAS  
WITHOUT ASBESTOS



**Standard panel dimensions:** 2.50 m x 1.30 m

**Thickness:** 2 mm

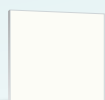
**Material:** Bs2d0 fire-rated PVC

**Surface finish:** wood effect for Decowood /  
metalized or concrete effect for Decotrend

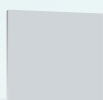
**Fixing:** adhesive bonding with SPM acrylic glue.  
Joints between panels should be made using welding  
rods, colour matched to the range

NEW

## 5 STANDARD COLOURS



Spume IRL 84.4



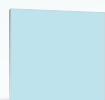
Pebble IRL 56.2



Gravel IRL 53.4



Cinnamon IRL 40.1



Glacier IRL 57.6

## 7 ON REQUEST COLOURS

*please contact us*



Clay IRL 33.3



Sienna IRL 27.2



Sand IRL 52.5



Straw IRL 72.8



Garnet IRL 11.4



Azure IRL 44.5



Meadow IRL 53.6

## 1 STANDARD DECOR



Brushed aluminium  
IRL 41.4

## 3 ON REQUEST DECORS



Medium concrete  
IRL 31.0



Brown cedar  
IRL 10.5



Smoky cedar  
IRL 18.4

# H<sub>2</sub>O SYSTEM CERTIFIED SOLUTION FOR RENOVATION

The performance of the H<sub>2</sub>O system in wet environments has been certified (in France) by an ATEX issued by the CSTB.

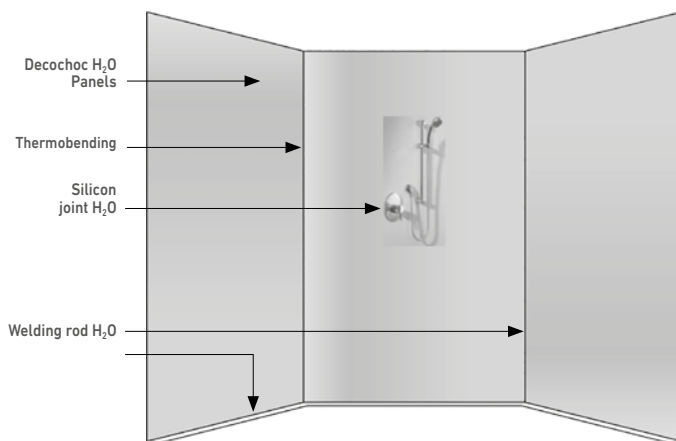
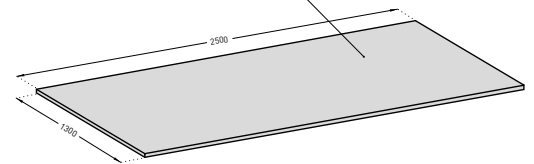
The technical evaluation of experimentation (ATEX) is a technical assessment procedure made by a group of experts on any innovative product, process or equipment.

This evaluation is often used either prior to a Technical Opinion (AT), as it provides initial experiment feedback regarding the implementation of processes, or for one-off projects.

Thereby ATEX certification guarantees the safety, correct functioning and longevity of an innovative system.



Solid colour and antibacterial PVC  
1.5 mm thick



Thermo-welding  
between panels



Thermo-welding  
between panels  
and cove skirting  
of the flexible floor  
covering

Bend into L



Bend into U



## FINISHING & FIXING ACCESSORIES



Finishing or jointing profile  
in antibacterial PVC Fin'Color  
(matching colours)  
L. 3.00 m



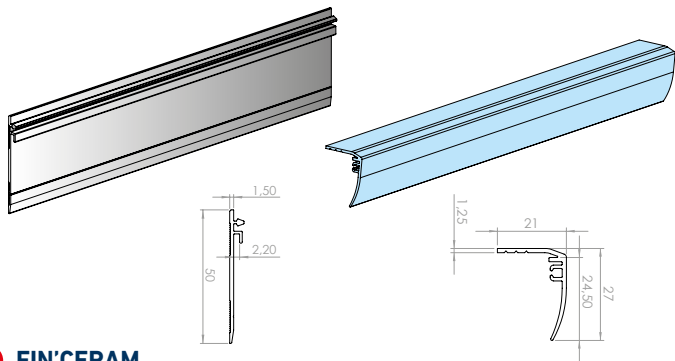
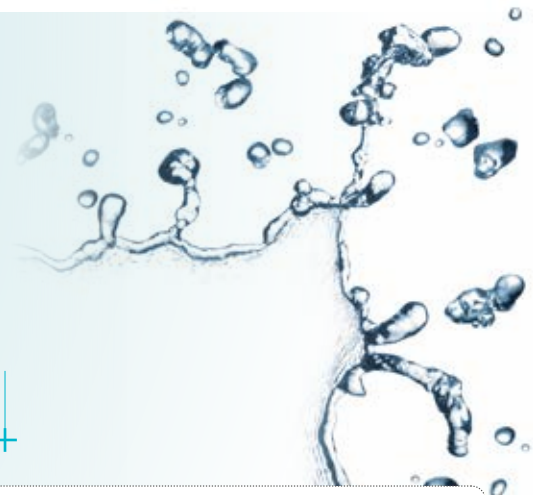
SPM solvent-free acrylic glue –  
simple bonding  
(300 to 350 g required per m<sup>2</sup>)  
available in 6 or 14 Kg cans



SPM universal mastic  
glue - Solvent-free  
290 ml cartridge  
(about 25 ml of cord)

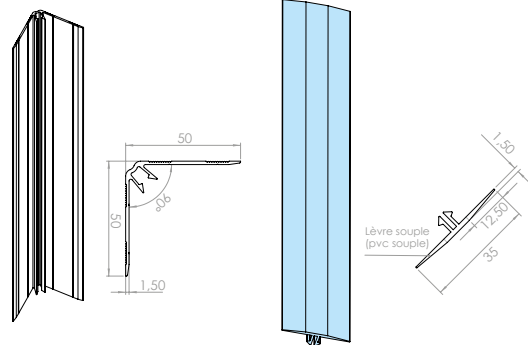
# H<sub>2</sub>O SYSTEM WITHOUT ATEX

SPM offers a second solution allowing the ceramics covering, while preserving the watertightness properties of the system, thanks to the different finishing solutions.



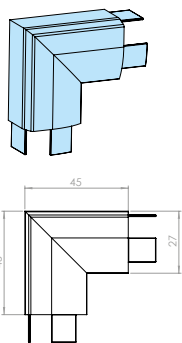
## FIN'CERAM

covering profile in antibacterial PVC (matching colours) and aluminium base  
L. 3 m  
Sold separately



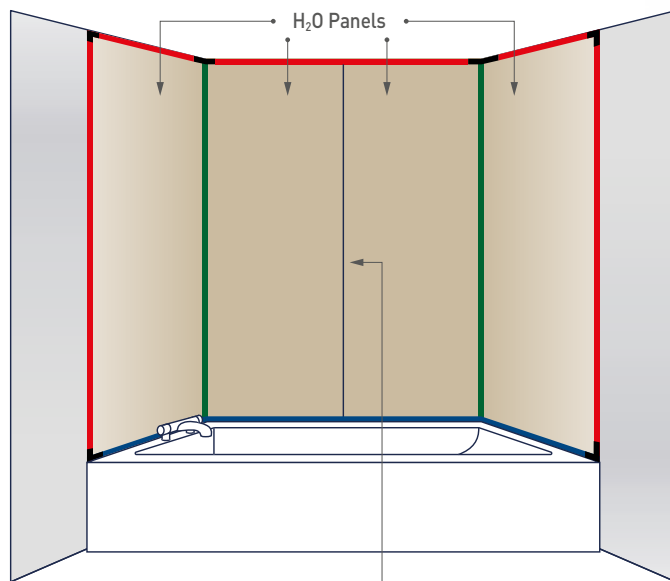
## FIN'ANGLE

corner profile (matching colours) and antibacterial PVC base (white)  
L. 3 m  
Sold separately

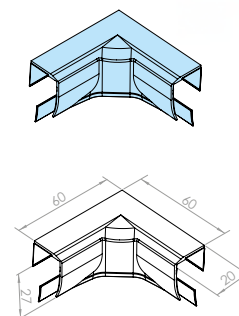


## 90° EXTERNAL ENDCAP

in antibacterial PVC  
matching colours



H<sub>2</sub>O welding rod (thermo-welding between 2 panels)

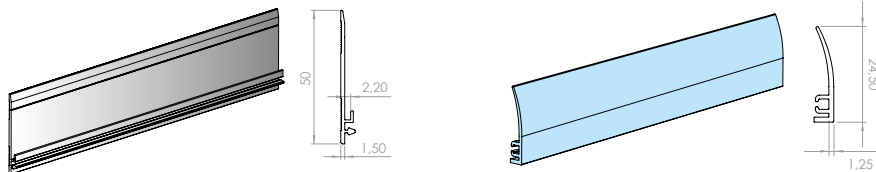


## 90° INTERNAL ENDCAP

in antibacterial PVC  
matching colours

## FIN'STOP

finishing profile in antibacterial PVC (matching colours)  
and aluminium base  
L. 3 m  
Sold separately



**H<sub>2</sub>O welding rod**  
(matching colours)  
4 mm diameter, 100 m roll. Hot  
fixing with a welding machine



**H<sub>2</sub>O silicon joint**  
(matching colours)  
310 ml cartridge

## FOR YOUR KITCHENS



## PLAC'INOX

Brushed stainless steel protection plate. To  
make secure zones exposed to the heat of  
cooktops or gas stoves in kitchens. Please see  
installation procedure.

		H <sub>2</sub> O system With ATEX n° 2273	H <sub>2</sub> O system Without ATEX
DECOCHOC H <sub>2</sub> O Panels		✓	✓
DECOWOOD / DECOTREND H <sub>2</sub> O Panels		✓	✓
H <sub>2</sub> O silicon joint		✓	✓
H <sub>2</sub> O welding rod		✓	✓
Thermo-welding between panels		✓	✓
Thermo-welding between panels and the floor covering		✓	✓
Bend into L		✓	✓
Bend into U		✓	✓
Covering profile <b>Fin'Ceram</b> , in PVC on aluminium base (sold separately)			✓
Finishing profile <b>Fin'Stop</b> , in PVC on aluminium base (sold separately)			✓
Corner finishing profile <b>Fin'Angle</b> , in PVC, on PVC base (sold separately)			✓
Finishing or jointing PVC profile, <b>Fin'Color</b>			✓
90° internal endcap in PVC			✓
90° external endcap in PVC			✓

INNOVATION

You are concerned by the asbestos and you are looking for a solution to renovate your wet areas with asbestos?

The **Safe'Cover** solution, developed for the covering of the ceramics glue with asbestos in the wet areas (bathrooms, kitchens), comply with the stipulations in France of the Sub-section 4, for the product installation as well as for a later renovation in 10 or 20 years.



Ask for our dedicated brochure

spm-international.com

**PANELS  
HANDRAILS  
PROTECTION RAILS  
CORNER PROTECTION**

**ASIA:** Gerflor Asia  
Tel: +86 21 6357 8818 - Fax: +86 21 6357 8998  
e-mail: gerflorasia@gerflor.com

**AUSTRALIA/NEW ZEALAND:** Gerflor Australasia Pty. Ltd  
Australia Tel: 1 800 060 785 - New Zealand Tel: 0 800 630 119  
e-mail: gerflor@gerflor.com.au

**AUSTRIA/SWITZERLAND:** Gerflor GmbH  
Tel: +43 (0)72 29/70 800-0 - Fax: +43 (0)72 29/70 800-218  
e-mail: austria@gerflor.com - switzerland@gerflor.com

**BELGIUM/LUXEMBURG:** Gerflor Benelux  
Tel: +32 (0)3 766 42 82 - Fax: +32 (0)3 766 29 14  
e-mail: gerflorbel@gerflor.com

**CANADA:** Gerflor International  
Tel: +1 438 333 0752 - Fax: +1 438 380 5425  
e-mail: gerflorcanada@gerflor.com

**CHINA:** Gerflor floorings (China) Co. Ltd.  
Tel: +86 21 6357 8818 - Fax: +86 21 6357 8998  
e-mail: gerflorchina@gerflor.com

**FINLAND:** Gerflor Oy  
Tel: +358 (0) 10 6 17 5150 - Fax: +358 (0) 10 617 5152  
e-mail: info@gerflor.fi

**FRANCE:** SPM International  
Tel: +33 (0)5 34 39 41 00 - Fax: +33 (0)5 34 39 40 10  
e-mail: export@spm.fr

**GERMANY:** Gerflor Mipolam GmbH  
Tel: +49 (0)22 41-25 30-0  
e-mail: gerformipolam@gerflor.com  
Kunden-Service  
Tel: +49 (0) 22 41-25 30-136 - Fax: +49 (0) 22 41-25 30-100  
e-mail: kundenservice@gerflor.com  
SAT Service und Anwendungstechnik  
Tel: +49 (0)22 41-25 30 555 - Fax: +49 (0)22 41-25 30 550  
e-mail: technik@gerflor.com

**ITALY:** Gerflor S.p.A.  
Tel: +39 02 90 40 10 - Fax: +39 02 90 42 74 84  
e-mail: gerfloritalia@gerflor.com

**LATIN AMERICA (Brazil):** Gerflor América Latina  
Tel: +55 11 38 48 20 20  
e-mail: gerflor@gerflor.com.br

**MIDDLE EAST:** Gerflor Middle East  
Tel: +966 13 847 1779 - Fax: +966 13 847 1781  
e-mail: info@gerflorme.com

**NETHERLANDS:** Gerflor Benelux  
Tel: +31 (0)40 266 17 00 - Fax: +31 (0)40 257 46 89  
e-mail: gerflornl@gerflor.com

**OTHER COUNTRIES:** SPM International  
Tel: +33 (0)5 34 39 41 00 - Fax: +33 (0)5 34 39 40 10  
e-mail: export@spm.fr

**POLAND:** Gerflor Polska Sp z o.o  
Tel: +48 61 823 34 01 - Fax: +48 61 823 34 33  
e-mail: info@gerflor.pl

**PORTUGAL:** Gerflor Iberia, SA  
Tel: +351 21 843 95 49 - Fax: +351 21 846 55 44  
e-mail: gerflorportugal@gerflor.com

**RUSSIA:** Gerflor zao  
Tel/Fax: +7 495 785 23 71  
e-mail: gerflorrussia@gerflor.ru

**SCANDINAVIA:** Gerflor Scandinavia a.s.  
Tel: +47 64 95 60 70 - Fax: +47 64 95 60 80  
e-mail: gerflorscand@gerflor.no

**SPAIN:** Gerflor Iberia, SA  
Tel: +34 91 653 50 11 - Fax: +34 91 653 25 85  
e-mail: gerfloriberia@gerflor.com

**USA:** Gerflor North America  
Tel: 877 GERFLOR (437 3567) - Fax: 847 394 3753  
e-mail: info@gerflorusa.com



A company of **Gerflor**

**Spm.**  
wall protection