

DESCRIPTION

| | | | |
|-----------------------|--|--|---|
| Description | | Capsule to trap all the dust emitted during the drilling of a support, and therefore making the work completely safe for the operators and the users of the building in the presence of asbestos fibers. It is perfectly suited to renovations of asbestos containing substrates in French subsection 4 (1). It is to be used exclusively on support with a surface roughness of less than 1.5mm. | |
| Composition | | Shell: thermoformed and transparent Gel: polymer Opercule: with an adhesived foam for an easy use | |
| Dimension (L x l x H) | | mm | 80 x 80 x 37 |
| Weight | | g | 40 +/-2 |
| Packaging | | | 6 plates of 6 breakable capsules = 36 capsules per carton |
| Product code | | | 058Z |

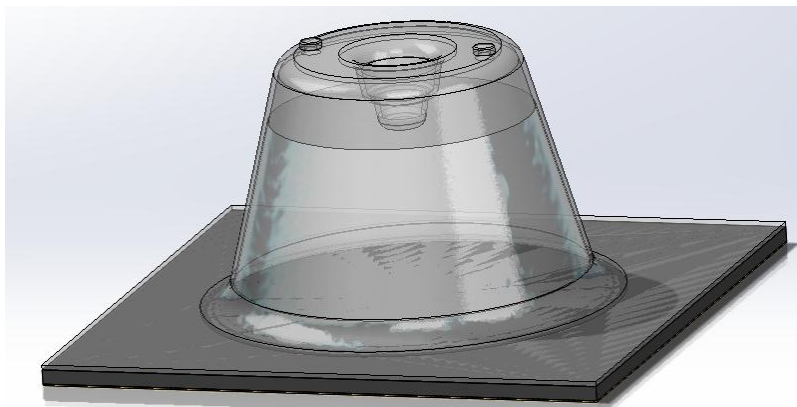
CONDITIONS OF USE IN ASBESTOS RENOVATION IN FRENCH SUBSECTION 4

| | | | |
|-------------------------|------------|-----------------|--|
| Asbestos fiber emission | XP X43-269 | F / I / 8h00 | < 5 In accordance with the French legislation in force (2) |
| Consumption | | | One capsule per hole |

STORAGE CONDITIONS

| | | | |
|---------------------|--|----|-------------------------------------|
| Service temperature | | °C | 15°C / 30°C |
| Storage temperature | | °C | 10°C / 40°C |
| Conservation | | | 18 months in its original packaging |

SCHEMA



(1) Provided that the company has validated its own procedures by conclusive dusting measures, this operation may be carried out partially without respiratory protection.

(2) These measures were carried out by an accredited body. They can be used as a reference for the development of the operating procedures of companies when they carry out work in accordance with the Safe'Cap installation guidelines