



LINEA'TOUCH - DECOWOOD

LINEA'TOUCH - ANODISED

Bactericidal joint



▶ TRILOBED HANDRAILS - 40 MM WIDTH

Applications

With a wood effect or aluminium finish (satin silver anodised), the Linea'Touch handrails combine design, ergonomics and elegance.

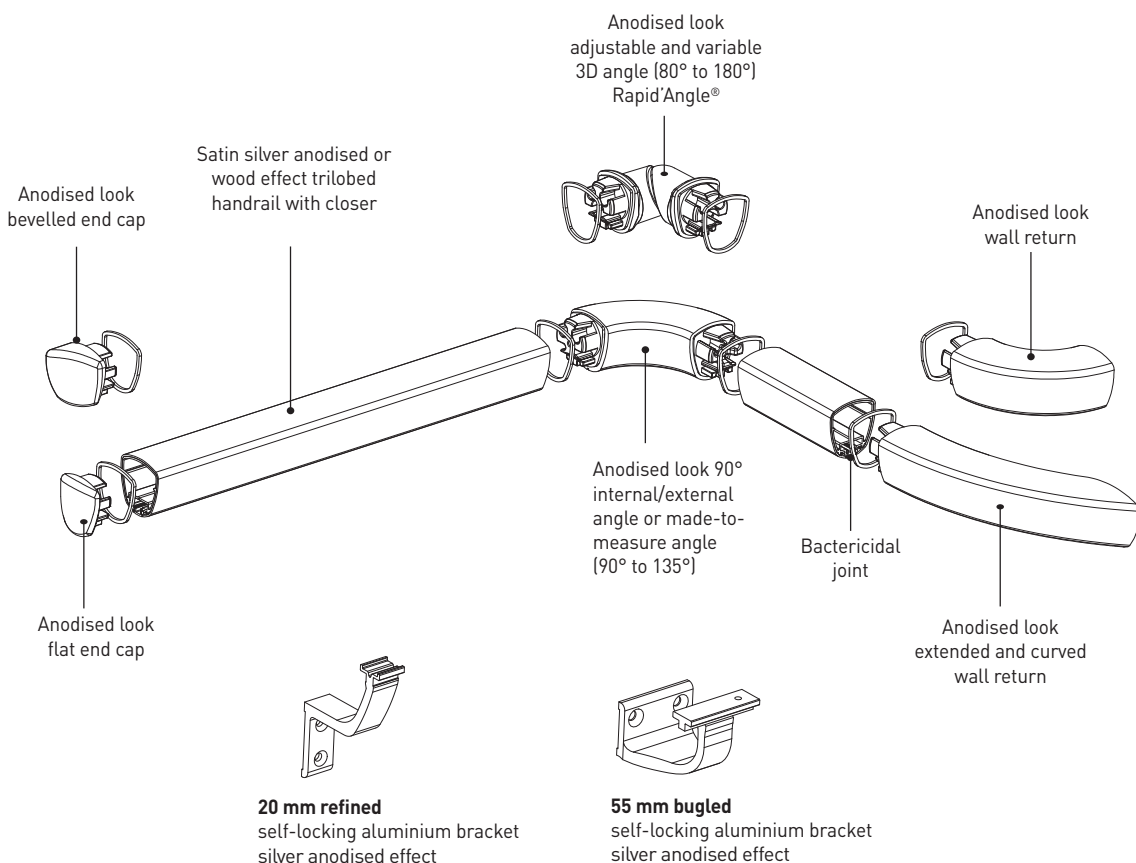
Their exclusive trilobed shape, validated by ergonomists, provides an excellent grip discreetly. Thanks to their large choice of accessories, they fit into all insides of buildings open to the public with light traffic: corridors and staircases in retirement homes, schools, hotels, apartment blocks, public buildings, offices.

They can be bent and provide various technical solutions for continuity in staircases and in front of service ducts.

They are fitted with bactericidal joints.

Description

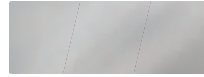
- Model: Linea'Touch Decowood or Anodised trilobed handrail
- Cross section: height 42 mm x width 40 mm
- Length: 4 m
- Overall projection: 80 mm (90 mm on request)
- Stand-off from wall: 40 mm (50 mm on request)
- Material: 10 micron satin silver anodised aluminium or aluminium with wood effect PVC, bactericidal joints
- Fixing components: refined or bugled 2-point self-locking refined aluminium brackets, silver anodised effect screwed to wall at 1.20 m centres (0.80 m centres in heavy traffic corridors and on light partitions like plasterboard)
- Colours:
 - 5 wood effect decors for Linea'Touch - Decowood
 - satin silver anodised for Linea'Touch - Anodised



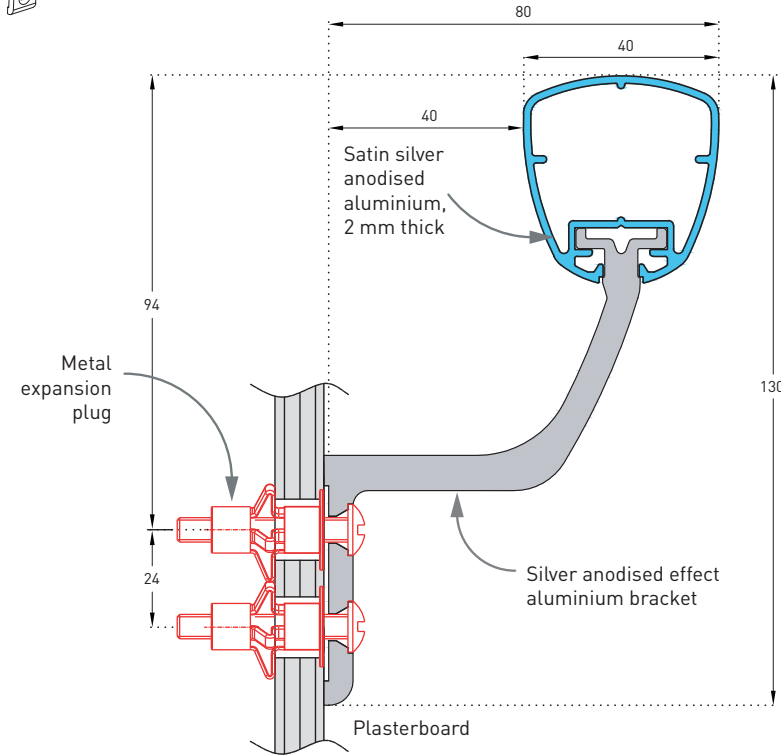
Linea'Touch - Decowood
5 wood effect decors



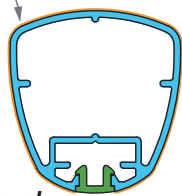
Linea'Touch - Anodised



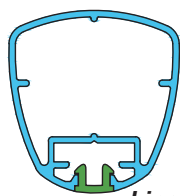
20 mm refined
self-locking aluminium bracket
silver anodised effect
(overall projection 80 mm)



Wood effect decor



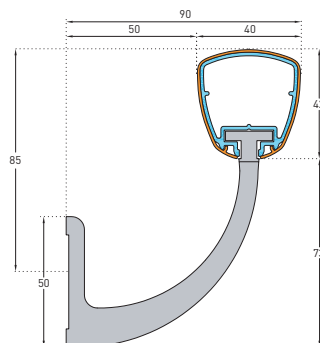
**Linea'Touch
Decowood**



**Linea'Touch
Anodised**

55 mm bugled
self-locking
aluminium bracket
silver anodised effect
(overall projection 80 mm)

80 mm reinforced
self-locking
aluminium bracket
silver anodised effect
(overall projection 90 mm)



Specification

- **Description:** trilobed wood effect handrail (Linea'Touch - Decowood as manufactured by SPM) or satin silver anodised aluminium (Linea'Touch - Anodised as manufactured by SPM) with a cross section from 28 to 40 mm to give it an ergonomic and anti-rotation design. It is 42 mm high and projects 80 mm from the wall. The axial position of its brackets provides an excellent guiding. It consists of a 2 mm thick satin silver anodised aluminium profile (Linea'Touch - Anodised) or of a 2 mm aluminium profile covered with wood effect PVC film (Linea'Touch - Decowood) and a closer underneath. A protective film is specified to minimise cleaning before acceptance. Various smooth and antibacterial PVC accessories with solid colour (flat or bevelled endcaps, classic or extended and curved wall returns), supplied with bactericidal joints, are available in anodised look to finish the handrail assembly and connect to the profile with joiner pieces. Wall fixing is by silver anodised effect aluminium brackets with 2-point self-locking: 20 mm wide refined bracket or 55 mm wide bugled bracket. The section comprises a groove into which brackets, accessories and closer slide and lock. All technical solutions are available to ensure continuity around corners (90° or made-to-measure), in staircases (Rapid'Angle 3-way "universal joint" rotation), across service ducts (Quick removable assembly wedge) and around curved sections (pre-curved in the factory). This handrail achieves an impact resistance in excess of 70 Joules, i.e., an impact of more than 220 kg travelling at 2 kmh.

- **Environment:** no heavy metals and no substance potentially subjected to any REACH restriction are used in its manufacture, nor PBT/BPA. The calcium-zinc thermal stabilisation process is used. The emission level of volatile substance in inside air has been tested according to ISO 16000-6 and is very low (A+) according to the French regulation (23 March 2011 nr 2011-321 Decree and 19 April 2011 Order). 100% of the product are recyclable.
- **Colour:** selected by architects from manufacturer's standard range.
- **Installation method:** upper edge of section 0.90 m max. above floor level. Fixes to 2-point self-locking aluminium brackets screwed to the wall at 1.20 m centres (0.80 m centres in heavy traffic corridors and on light partitions like plasterboard). Wall returns, end caps and angles to be fixed with 2.5 mm Allen clamping screws.