

FIN'COLOR



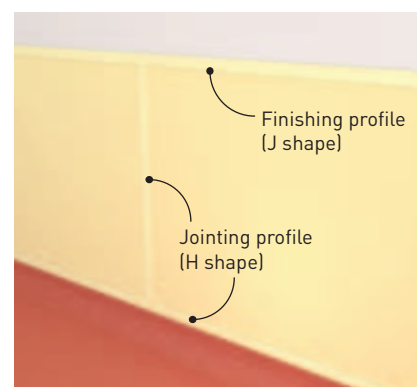
FINISHING AND JOINTING PROFILES FOR 2 MM PANELS DECOCHOC, DECOCLEAN, DECOWOOD AND DECOTREND PANELS

Applications

Fin'Color are PVC profiles that provide an aesthetic finish and a perfect joint between panels or between panel and floor skirting. Available in all colours in the range, to be matched with our protection panels, they bring a subtle decorative touch for a harmonious whole. They are suitable for low traffic areas, enhancing all types of public buildings.

Description

- Model: Fin'Color finishing (J shape) or jointing (H shape) profile for 2 mm thick panels
- Width (visible part): 20.5 mm for finishing profile, 21.5 mm for jointing profile
- Length: 3 m
- Material: antibacterial and Bs2d0 fire-rated PVC, solid colour
- Surface finish: smooth
- Fixing: adhesive bonding with SPM acrylic glue or SPM universal mastic glue
- Colours: 33 standard



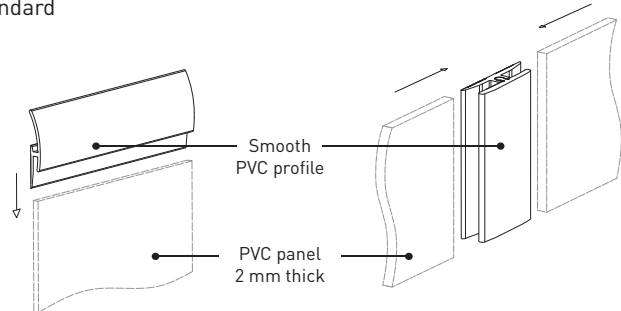
Specification

1 Description: finishing profile (J shape) from antibacterial PVC achieving Bs2d0 fire rating with solid colour (Fin'Color finishing profile in J shape as manufactured by SPM) designed for horizontal or vertical finishing for 2 mm thick protection panels (Decochoc, Decoclean, Decowood or Decotrend as manufactured by SPM). Smooth surface, 3 m long, 20.5 mm wide for the visible part.

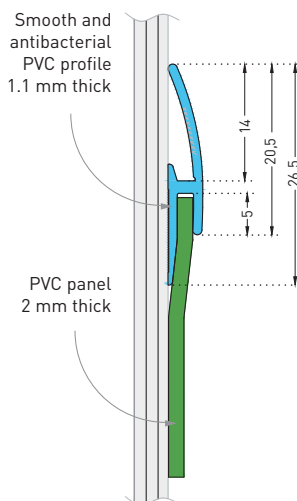
- Environment: no heavy metals and no substance potentially subjected to any REACH restriction are used in its manufacture, nor PBT/BPA. The calcium-zinc thermal stabilisation process is used. The emission level of volatile substance in inside air has been tested according to ISO 16000-6 and is very low (A+) according to the French regulation (23 March 2011 nr 2011-321 Decree and 19 April 2011 Order). 100% of the product are recyclable.
- Colours: selected by architects from manufacturer's standard range.
- Installation method: glue as per manufacturer's instructions.

2 Description: jointing profile (H shape) from antibacterial PVC achieving Bs2d0 fire rating with solid colour (Fin'Color jointing profile in H shape as manufactured by SPM) designed for horizontal or vertical jointing between 2 mm thick protection panels (Decochoc, Decoclean, Decowood or Decotrend as manufactured by SPM) or the connection of these panels with 2 mm flexible floor skirting. Smooth surface, 3 m long, 21.5 mm wide for the visible part.

- Environment: no heavy metals and no substance potentially subjected to any REACH restriction are used in its manufacture, nor PBT/BPA. The calcium-zinc thermal stabilisation process is used. The emission level of volatile substance in inside air has been tested according to ISO 16000-6 and is very low (A+) according to the French regulation (23 March 2011 nr 2011-321 Decree and 19 April 2011 Order). 100% of the product are recyclable.
- Colours: selected by architects from manufacturer's standard range.
- Installation method: glue as per manufacturer's instructions.



1 Finishing profile (into J shape)



2 Jointing profile (into H shape)

