

## ESCORT - PVC SHEATHED

**Bactericidal joint**



### ▶ ROUND HANDRAIL - DIAMETER 40 MM

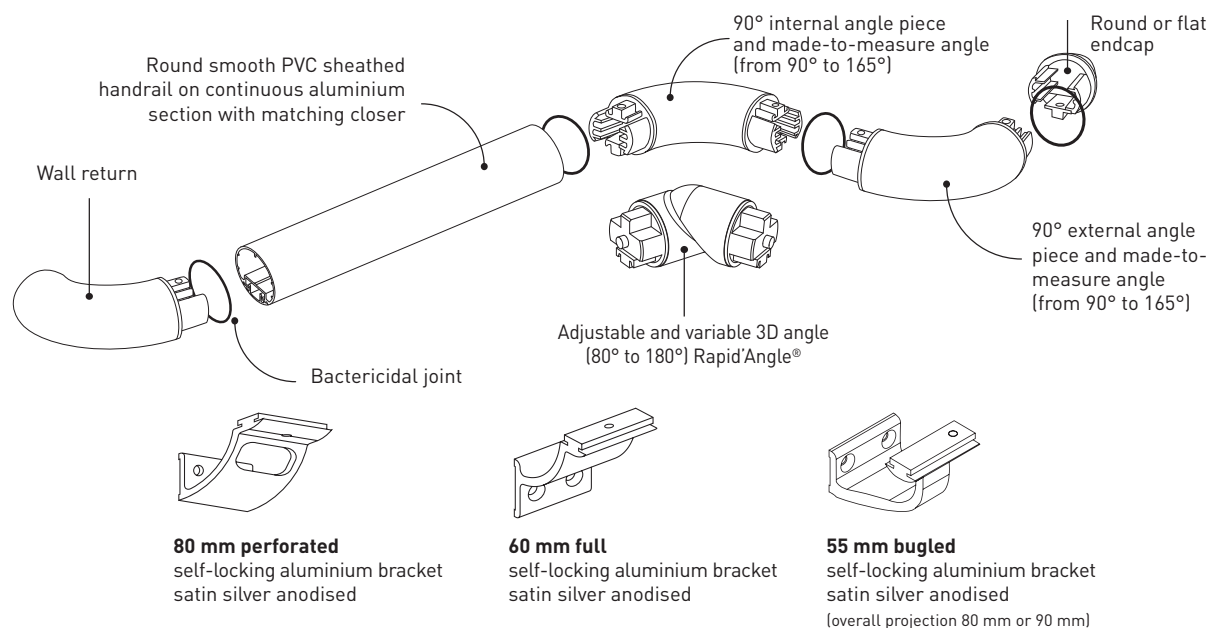
#### Applications

Escort is designed to provide a high quality grip and classic look. Highly appreciated by mobility-impaired persons for its perfect roundness and pleasant feel, Escort 40 is ideal for all corridors and stairways in retirement homes, hospitals, clinics, rehabilitation centres, collective housing. Escort can be bent for curved sections. A removeable system is available to provide continuation of the handrail in front of service ducts. It is fitted with bactericidal joints.

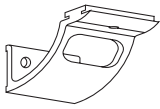
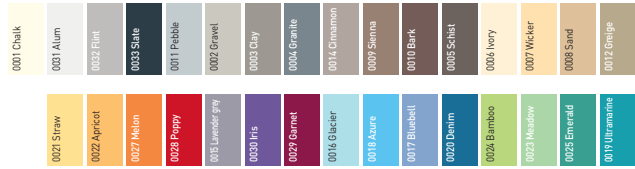
#### Specification

- Description: round handrail with antibacterial PVC sheath (Escort PVC sheathed as manufactured by SPM) with a diameter of 40 mm and an overall projection and height of 80 mm. It consists of a 1.5 mm thick continuous aluminium profile covered by a 1.5 mm thick smooth and antibacterial PVC sheath achieving Bs2d0 fire rating with solid colour, and a matching closer underneath. A protective film is specified to minimise cleaning before acceptance. Various smooth and antibacterial PVC accessories with solid colour (round or flat endcaps, external and internal 90° angle pieces or made-to-measure from 90 to 165°, wall returns), supplied with bactericidal joints, are available to finish the handrail assembly. Wall fixing is by 40 mm deep satin silver anodised aluminium brackets with 2-point self-locking: curved and perforated (80 mm wide), curved and full (60 mm wide) or bugled (55 mm wide). The section comprises a groove into which brackets, accessories and matching closer slide and lock. Accessories are fitted on the section and fixed with locking screws. All technical solutions are available to ensure continuity around corners (90° or made-to-measure), in staircases (slope link or 3-way "universal

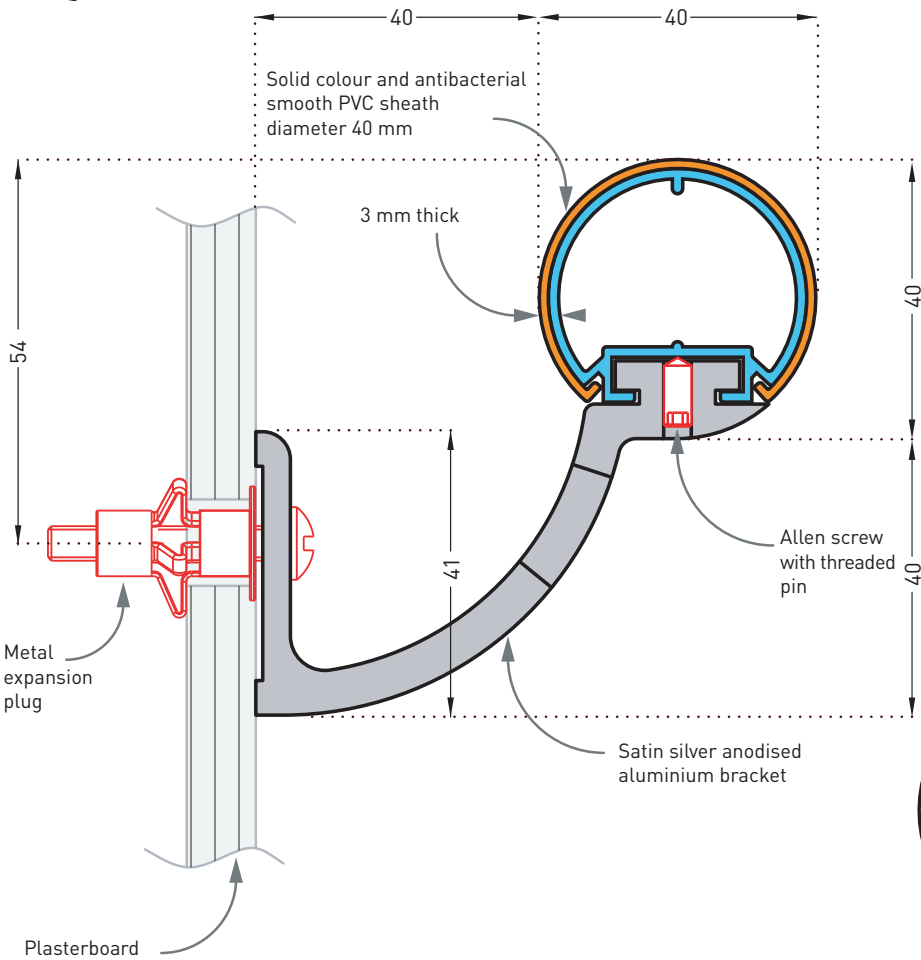
- joint" rotation angle –Rapid'Angle as manufactured by SPM-), across service ducts (quick-removable assembly wedge or articulated link –Rapid'Access as manufactured by SPM-) and around curved sections (pre-curved in the factory).
- Environment: no heavy metals and no substance potentially subjected to any REACH restriction are used in its manufacture, nor PBT/BPA. The calcium-zinc thermal stabilisation process is used. The emission level of volatile substance in inside air has been tested according to ISO 16000-6 and is very low (A+) according to the French regulation (23 March 2011 nr 2011-321 Decree and 19 April 2011 Order). 100% of the product are recyclable.
- Colour: selected by architects from manufacturer's standard range. The colours of the accessories are the same as the profile of the protection handrail.
- Installation method: upper edge of section 0.90 m max. above floor level. Fixes to 2-point self-locking perforated aluminium brackets screwed to the wall at 1.20 m centres (0.80 m centres in heavy traffic corridors and on light partitions like plasterboard). Wall returns, endcaps and angles to be fixed with 2.5 mm Allen clamping screws.



Escort  
31 colours

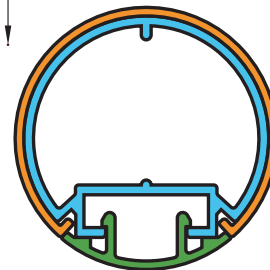


**80 mm perforated**  
self-locking aluminium bracket  
satin silver anodised  
(overall projection 80 mm)

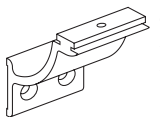


**Description**

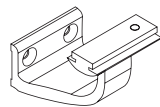
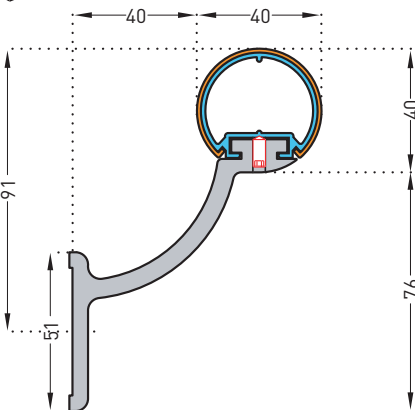
- Model: Escort PVC sheathed round handrail
- Diameter: 40 mm
- Length: 4 m
- Overall projection: 80 mm or 90 mm
- Stand-off from wall: 40 mm or 50 mm
- Material: antibacterial and Bs2d0 fire-rated PVC, solid colour, on continuous aluminium section, bactericidal joints
- Fixing components: 2-point self-locking brackets, satin silver anodised aluminium, screwed to wall at 1.20 m centres (0.80 m centres in heavy traffic areas and on light partitions like plasterboard)
- Colours: 31 standard



Matching closer



**60 mm full**  
self-locking aluminium bracket  
satin silver anodised  
(overall projection 80 mm)



**55 mm bugled**  
self-locking aluminium bracket  
satin silver anodised  
(overall projection 80 mm or 90 mm)

