


NEWElasto'Punch 200E
1 colour

Black

ELASTO'PUNCH 200E



▶ WALL PROTECTION RAIL - 200 MM HIGH

Applications

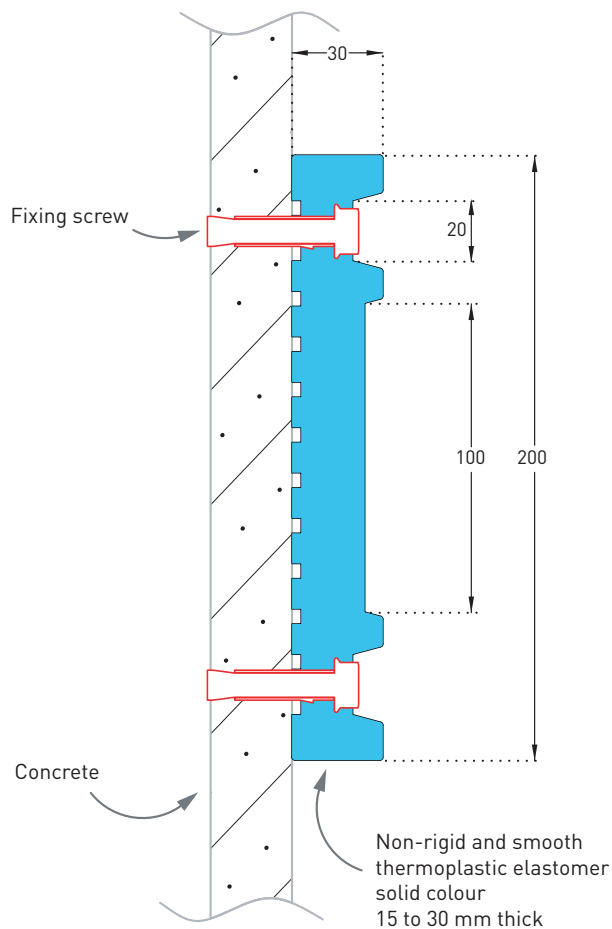
With its dense shape, the Elasto'Punch 200E protection rail provides effective protection for walls that are very exposed to side impacts and abrasion from guided trucks, in logistics corridors, storage areas and warehouses, car parks, etc. Its black elastomer material enables it to be used both indoor and outdoor.

Description

- Model: Elasto'Punch 200E protection rail
- Height: 200 mm
- Depth: 30 mm
- Length: 3 m
- Material: non-rigid thermoplastic elastomer, 15 to 30 mm thick, solid colour
- Surface finish: smooth
- Fixing: by screwing
- Colour: black

Specification

- Description: E-shaped flat protection rail in non-rigid and smooth thermoplastic elastomer (Elasto'Punch 200E as manufactured by SPM) comprising a 200 mm height profile, 15 to 30 mm thick, solid colour, giving it excellent impact-resistance properties and good ageing and UV resistance.
- Environment: no heavy metals are used in its formulation, nor PBT/BPA. 100 % of the product are recyclable.
- Colour: black
- Installation method: by screwing



Smooth thermoplastic elastomer profile

