



**NEW**

## COMBO'DUO

**Bactericidal joint**



### ▶ WALL PROTECTION AND HANDRAIL - 160 MM HIGH

#### Applications

This product combines handrail and protection rail to ensure a maximum efficiency. Combo'Duo 160 is perfect for hospitals, clinics or re-education centers, and its slightly textured finish helps to conceal the effect of abrasion and gives it a matte finish.

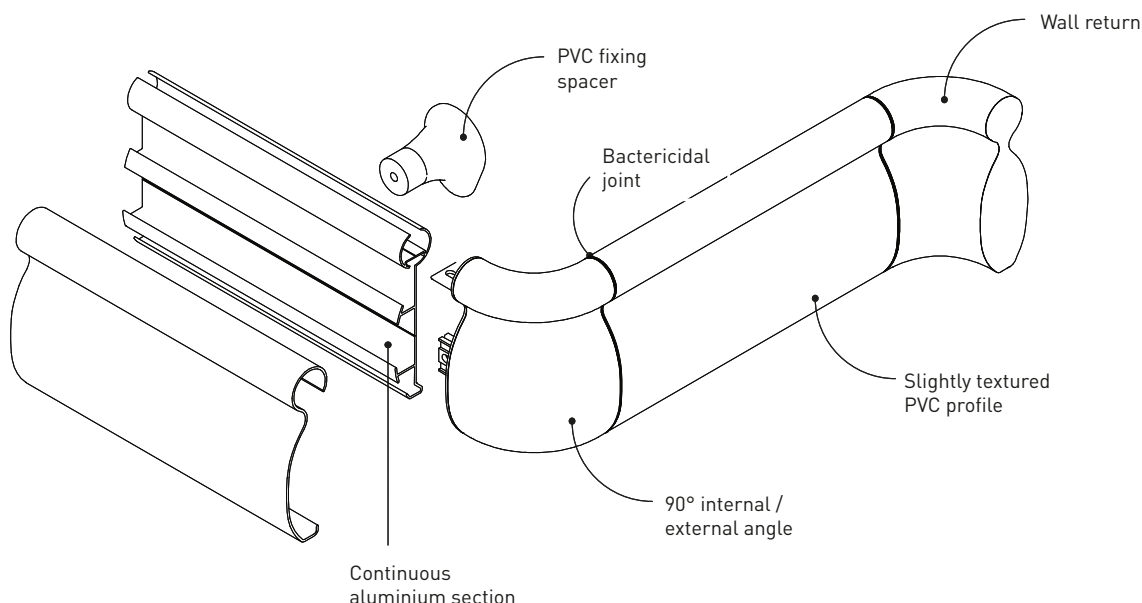
#### Specification

- Description: hand and wall protection rail (Combo'Duo as manufactured by SPM) from 2 mm thick slightly textured (Optimixt grain as manufactured by SPM) and antibacterial PVC achieving Bs2d0 fire rating with solid colour. The 160 mm high system combines a tubular upper part (diameter 38 mm) and a lower wall protection rail slightly textured. The PVC profile snap-fixes onto a continuous aluminium section and finish is provided by slightly textured PVC accessories (wall returns, 90° internal/external angles). The unit is fitted into a PVC spacer. Bactericidal joints are provided for the junctions between profile sections and accessories.
- Environment: no heavy metals and no substance potentially subjected to any REACH restriction are used in its

manufacture, nor PBT/BPA. The calcium-zinc thermal stabilisation process is used. The emission level of volatile substance in inside air has been tested according to ISO 16000-6 and is very low (A+) according to the French regulation (23 March 2011 nr 2011-321 Decree and 19 April 2011 Order). 100% of the product are recyclable.

• Colour: selected by architects from manufacturer's standard range. The colours of the accessories are the same as the profile of the protection handrail.

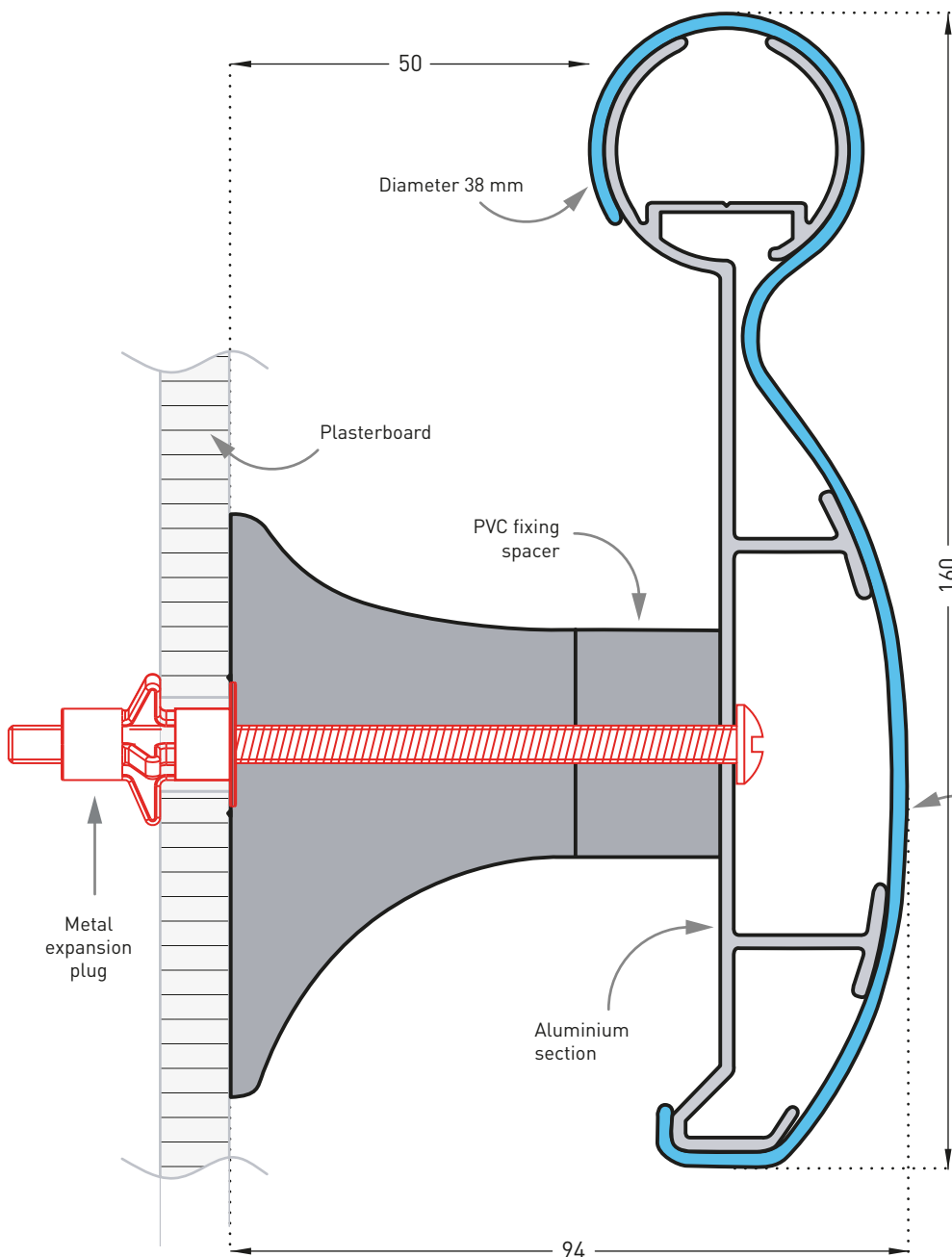
• Installation method: upper edge of section 0.90 m max. above floor level. Fixing on PVC spacers to be fitted at 0.80 m centres (0.60 m centres in heavy traffic corridors and on light partitions like plasterboard). Wall returns and angles fixing with self-drilling screws.



Combo'Duo 160  
4 colours\*



\*and 27 colours on request  
(Please contact us)



**Description**

- Model: Combo'Duo wall protection and handrail
- Height: 160 mm
- Length: 4 m
- Tubular upper part diameter: 38 mm
- Overall projection: 94 mm
- Stand-off from the wall: 50 mm
- Material: 2 mm thick antibacterial and Bs2d0 fire-rated PVC, solid colour, bactericidal joints
- Surface finish: slightly textured («Optimixt» grain\*)
- Fixing: on PVC spacers to be fitted at 0.80 m centres (0.60 m centre in heavy traffic corridors and on light partitions like plasterboard)
- Colours: 4 standard and 27 colours on request (please consult us)

\*"Optimixt" grain: optimal combination of scratch resistance, hygiene and aesthetic.

Solid colour and antibacterial slightly textured PVC profile 2 mm thick