

NEW

Combo'Clad 200



Combo'Clad 150



## COMBO'CLAD



### ▶ ADHESIVE PROTECTION PLATES - 200 OR 150 MM HIGH

#### Applications

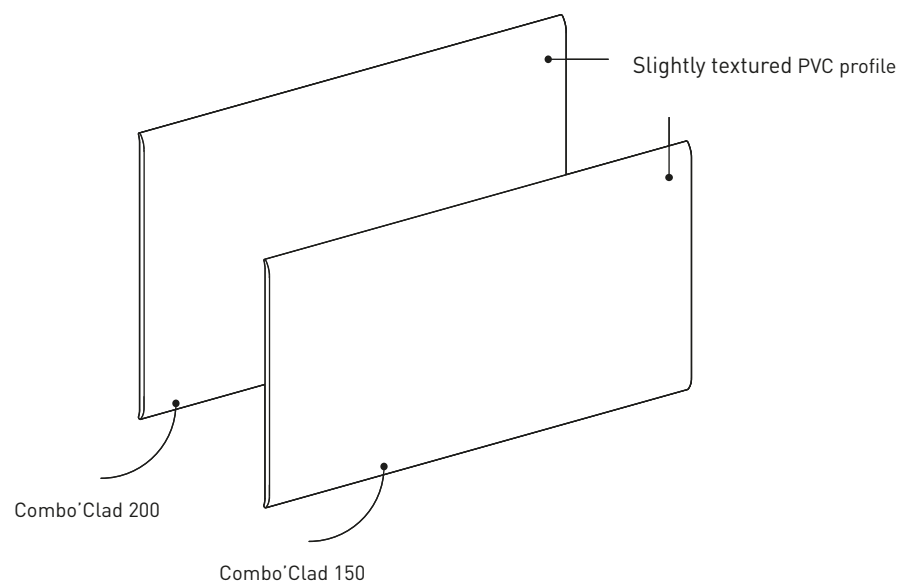
These protection plates prevent damage to doors and walls exposed to abrasion by furniture, chairs and to repeated impacts in low traffic corridors, bedrooms, waiting rooms. Combo'Clad matches the Combo'Punch protection rails.

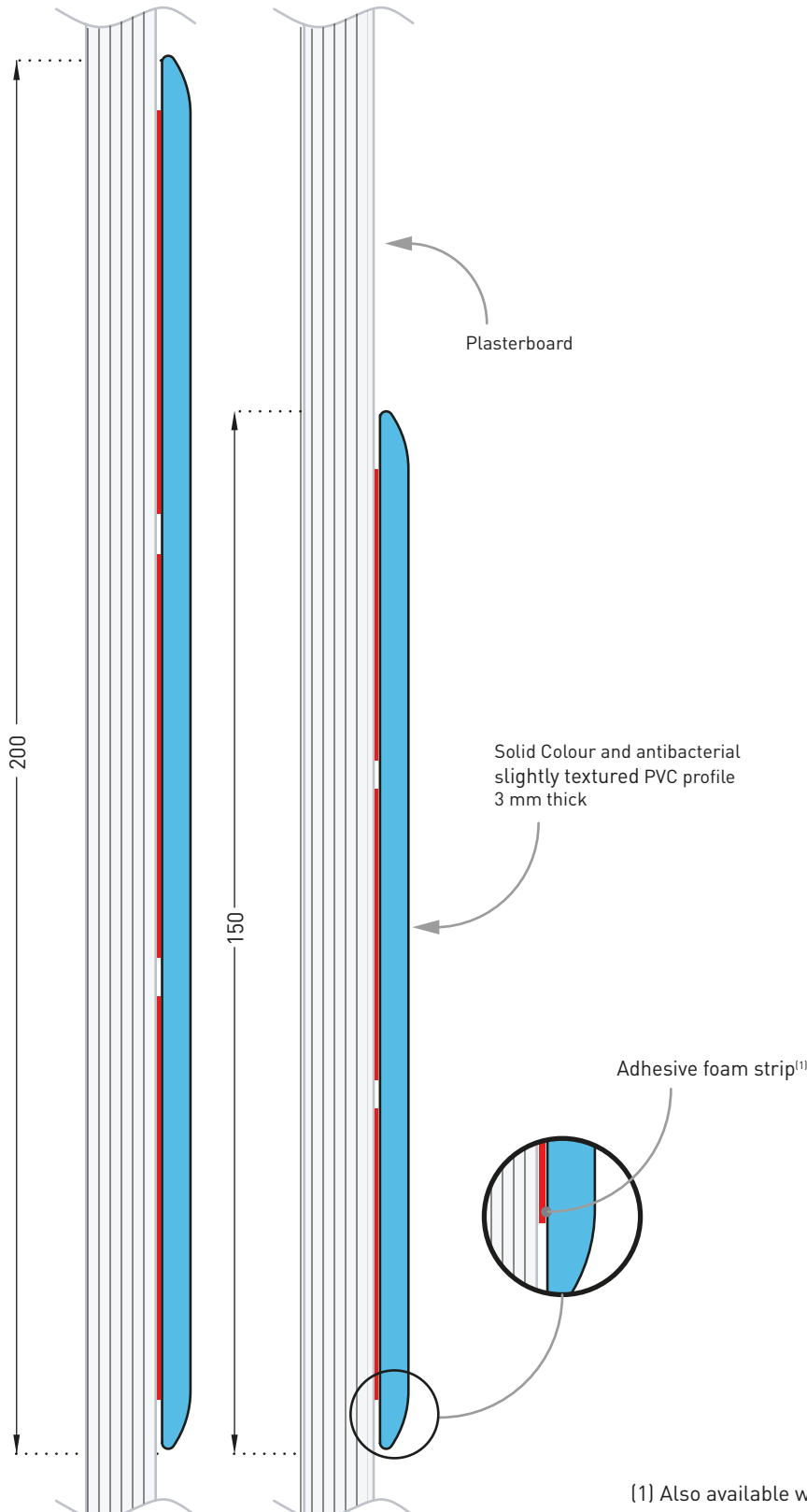
#### Specification

- Description: adhesive protection plate (Combo'Clad 200 or 150 as manufactured by SPM) from slightly textured (Optimixt grain as manufactured by SPM) and antibacterial PVC achieving Bs2d0 fire rating with solid colour. PVC profile is 200 or 150 mm high and 3 mm thick. It is provided with 3 strips of foam adhesive tape for fixing (or without adhesive tape on request).
- Environment: no heavy metals and no substance potentially subjected to any REACH restriction are used in its manufacture, nor PBT/BPA.

The calcium-zinc thermal stabilisation process is used. The emission level of volatile substance in inside air has been tested according to ISO 16000-6 and is very low (A+) according to the French regulation (23 March 2011 nr 2011-321 Decree and 19 April 2011 Order). 100% of the product are recyclable.

- Colour: selected by architects from manufacturer's standard range.
- Installation method: adhesive. SPM universal mastic glue is recommended for stronger fixing.





### Description

- Model: Combo'Clad 200 or 150 adhesive<sup>(1)</sup> protection plate
- Height: 200 or 150 mm
- Thickness: 3 mm
- Length: 4 m
- Material: antibacterial and Bs2d0 fire-rated PVC, solid colour
- Surface finish: slightly textured («Optimixt» grain\*)
- Fixing: adhesive foam strips reinforced with SPM universal mastic glue
- Colours: 4 standard and 27 on request (please consult us)

\*"Optimixt" grain: optimal combination of scratch resistance, hygiene and aesthetic.

(1) Also available without adhesive tape on request.